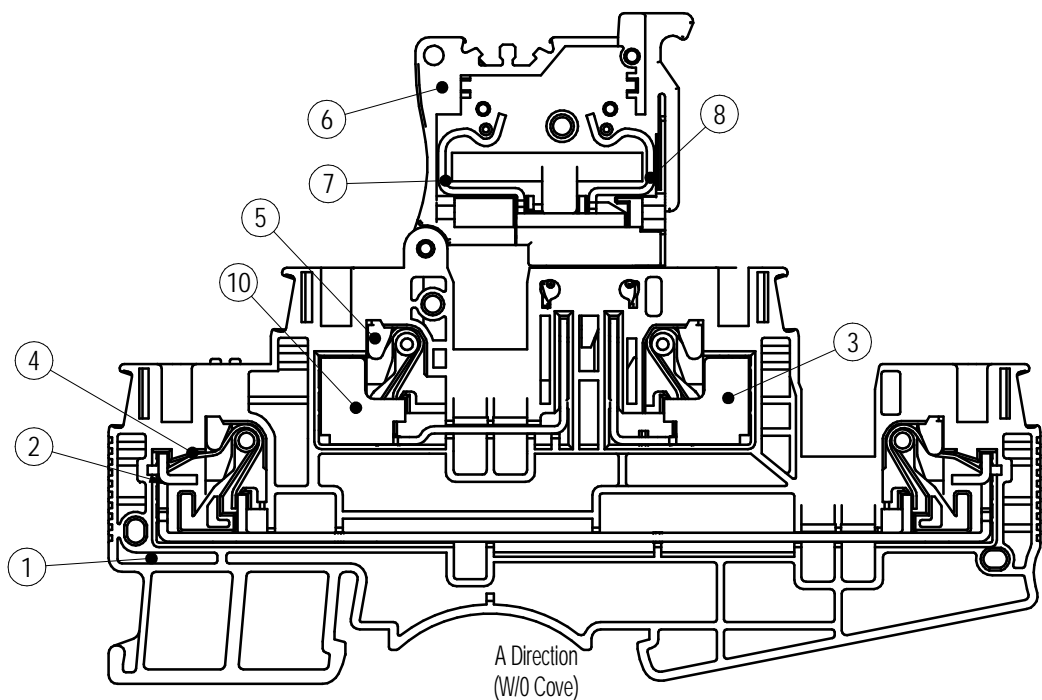
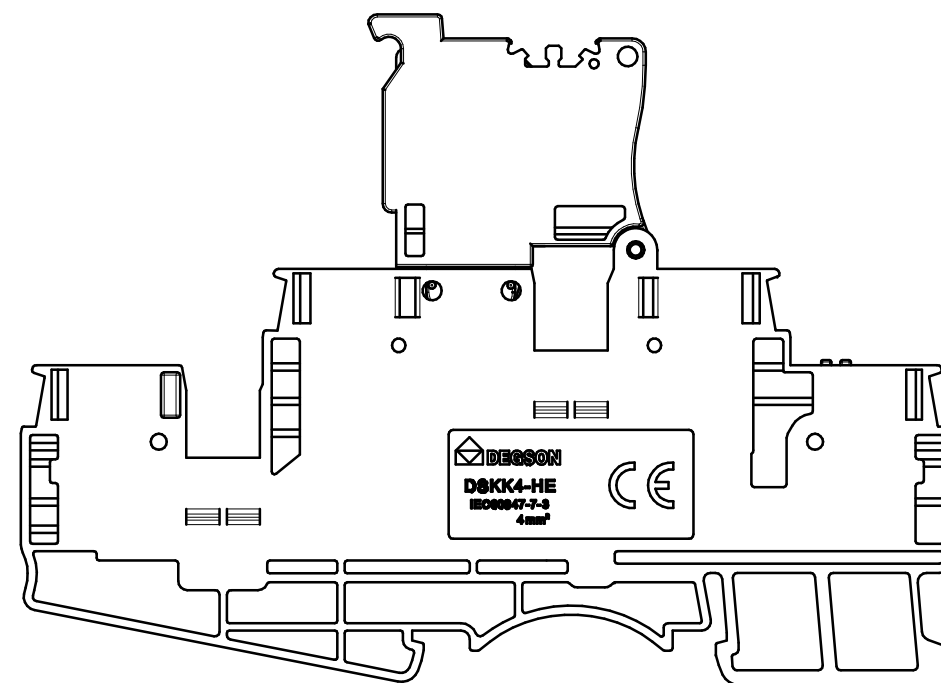
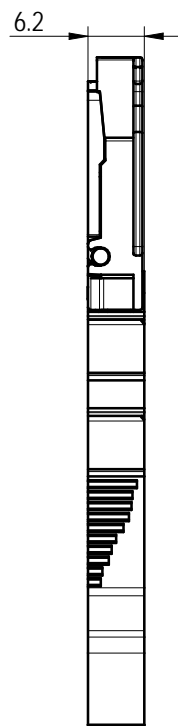
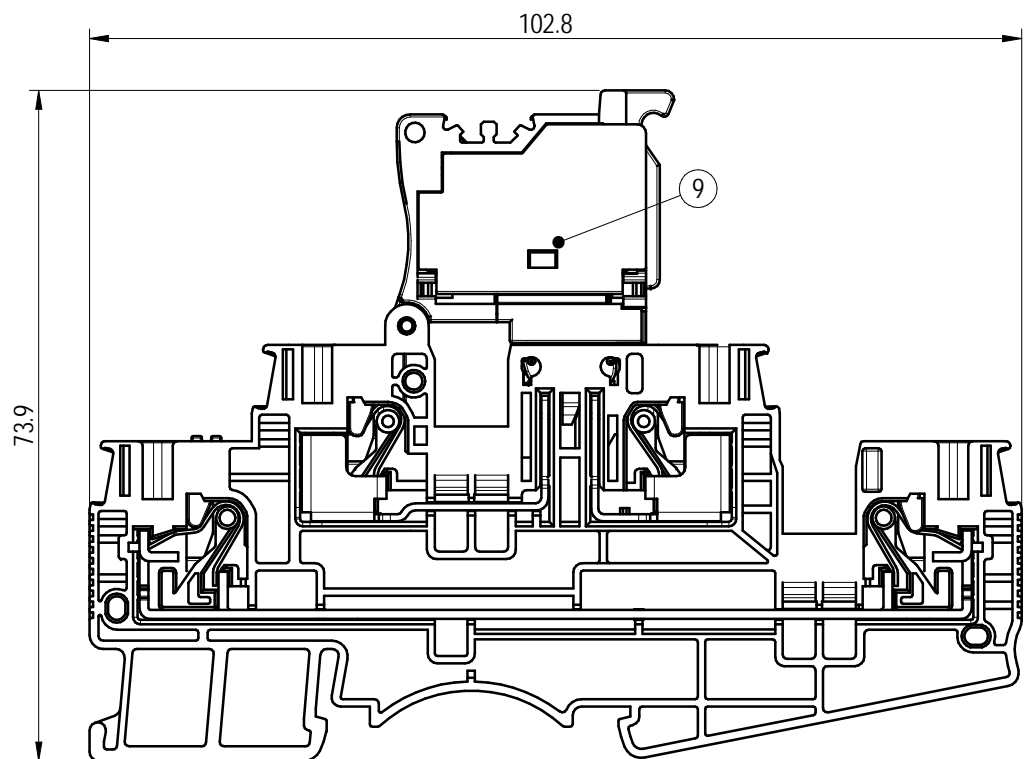


未注公差/General tolerances(mm)											0.1/10 ±2'		
0 ~ 3	>3 ~ 6	>6 ~ 10	>10 ~ 18	>18 ~ 30	>30 ~ 50	>50 ~ 80	>80 ~ 120	>120 ~ 180	>180 ~ 250	>250 ~ 315		>315 ~ 400	>400 ~ 500
±0.12	±0.18	±0.22	±0.26	±0.31	±0.37	±0.57	±0.80	±0.93	±1.05	±1.15	±1.60	±2.20	±2.50

UL 标准/UL Standard:		B	C	D
上层额定电压/电流/Rated Voltage(V)/Current(A)		300/6.3	300/6.3	/
下层额定电压/电流/Rated Voltage(V)/Current(A)		300/20	300/20	/
IEC 标准/IEC Standard:				
过压类别/Overvoltage Category/污染等级/Pollution Degree		III/3	III/2	II/2
上层额定电压/电流/Rated Voltage(V)/Current(A)		400/6.3	/	/
下层额定电压/电流/Rated Voltage(V)/Current(A)		400/28	/	/
额定脉冲电压(KV)/Rate Impulse Voltage(KV)		6	/	/
线径范围(硬线和软线)/Wire Range(rigid and flexible)(AWG/mm ²)		24~10 / 0.2~4 , 6(SOL)		
间距/Pitch/线数范围/Poles		6.20/N=01P		
剥线长度/Stripping length(mm)		11~13		
使用温度范围/Operating temperature(°C)		-40~+105		
符合RoHS环保要求/Conform to RoHS		Yes		



ITEM	NAME OF PART	MATERIAL	NOTES
10	Current carrier 5	Copper alloy	Sn plated
9	Cover	PA66	UL94V-0
8	Current carrier 4	Copper alloy	Sn plated
7	Current carrier 3	Copper alloy	Sn plated
6	Fuse Housing	PA66	UL94V-0
5	Button	PA66+GF	UL94V-0
4	Spring	Stainless steel	/
3	Current carrier 2	Copper alloy	Sn plated
2	Current carrier 1	Copper	Sn plated
1	Housing	PA66	UL94V-0

DEGSON		MATERIAL:	SURFACE/COLOR:	
APPD: 李根芳	2026.03.11	MAT NO./REV: 11040001902-1 / 01	MAT STATUS: 设计放行	
CHKD: 马恩开	2026.03.11	NAME: DSKK4-HE-01P-13-00Z (H)		
DRAFT: 瑞雪寅	2026.03.11	DRAWING NO. 200435283	TYPE: CUSTOMER DRAWING	DRAWING STATUS: work
REV: /	ECN: /	SCALE: 1:1	SHEET: 1/2	

REV	ECN	DESCRIPTION	DRAFT	DATE
00	/	New Product	瑞雪寅	2026.03.11

Transfer or duplication of this document as well as the utilization or communication of its contents are prohibited unless explicit authorization is granted. Violations will be liable for compensation. All rights reserved for patent. 复制或再行传播本文件以及利用其内容或进行任何形式的交流均被禁止，除非事先获得明确授权。否则侵权者将承担法律责任。本公司保留所有权利。