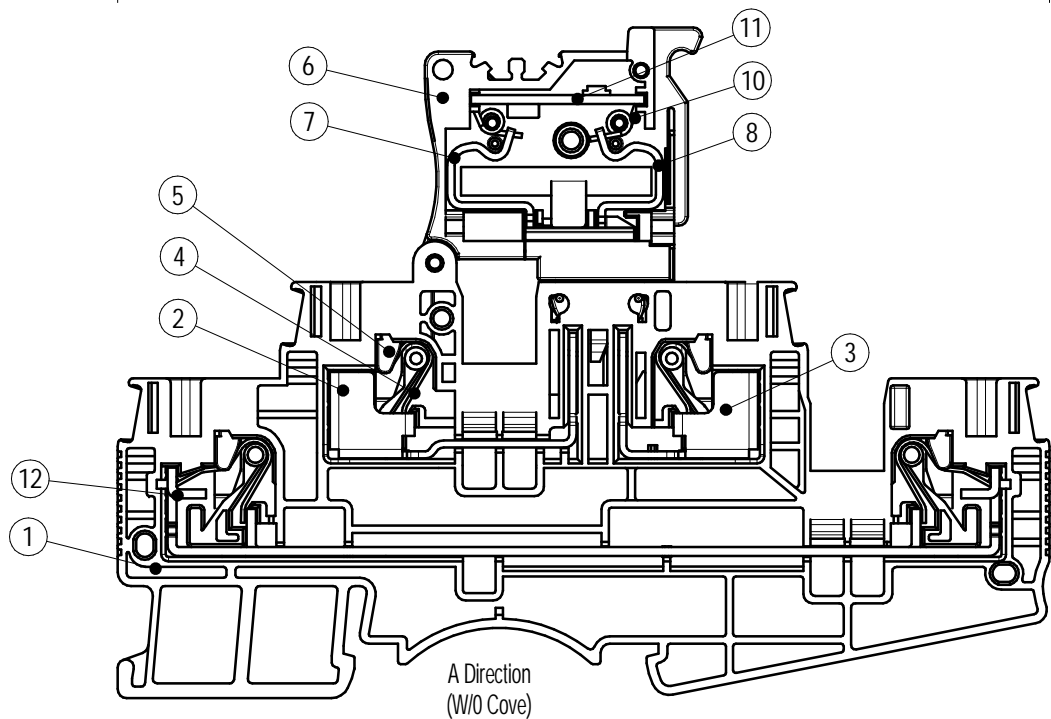
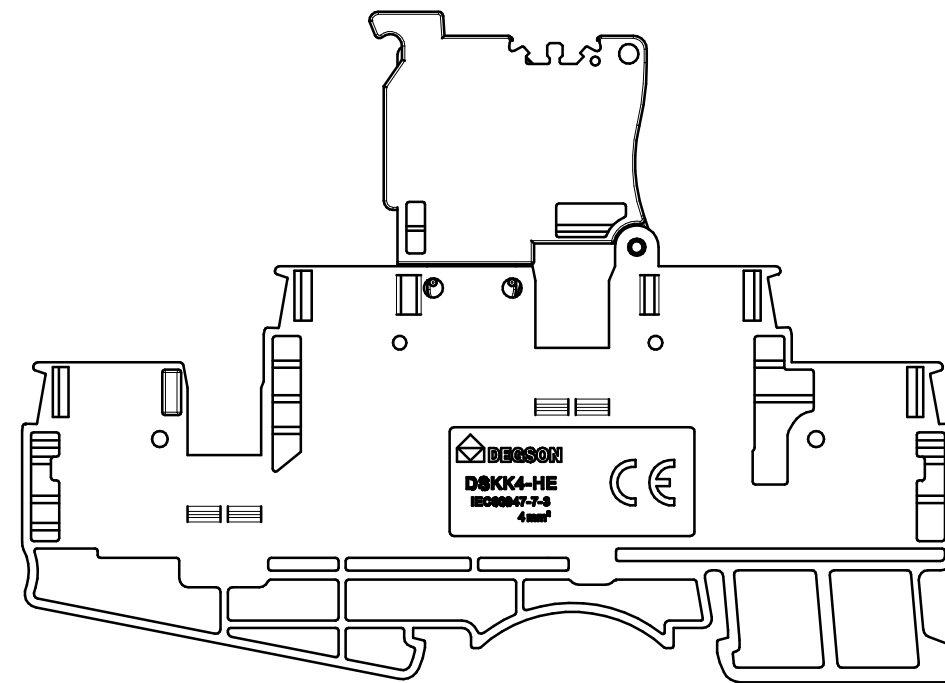
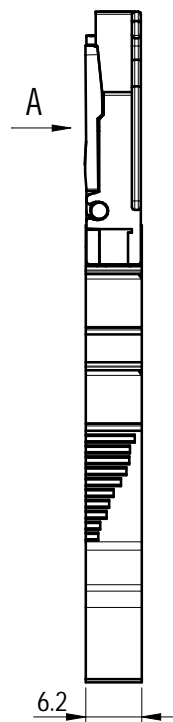
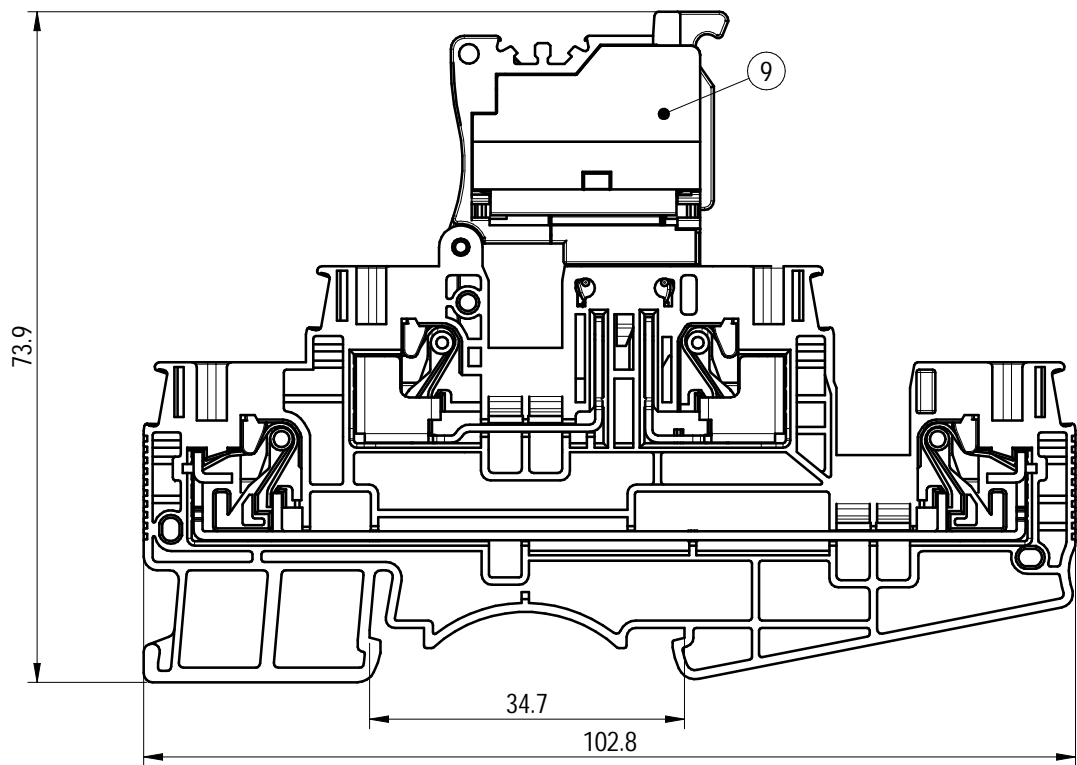


未注公差/General tolerances(mm)														
0	>3	>6	>10	>18	>30	>50	>80	>120	>180	>250	>315	>400	>500	0.1/10
~3	~6	~10	~18	~30	~50	~80	~120	~180	~250	~315	~400	~500		±2'
±0.12	±0.18	±0.22	±0.26	±0.31	±0.37	±0.57	±0.80	±0.93	±1.05	±1.15	±1.60	±2.20	±2.50	

<b>UL 标准/UL Standard:</b>			
上层额定电压/电流/Rated Voltage(V)/Current(A)	B	C	D
下层额定电压/电流/Rated Voltage(V)/Current(A)	/	/	/
<b>IEC 标准/IEC Standard:</b>			
过压类别/Overvoltage Category/污染等级/Pollution Degree	III/3	III/2	II/2
上层额定电压/电流/Rated Voltage(V)/Current(A)	24/6.3	/	/
下层额定电压/电流/Rated Voltage(V)/Current(A)	400/28	/	/
额定脉冲电压(KV)/Rate Impulse Voltage(KV)	6	/	/
线径范围(硬线和软线)/Wire Range(rigid and flexible)(AWG/mm <sup>2</sup> )	24~10 / 0.2~4 , 6(sol)		
间距/Pitch(mm)/线数范围/Poles	6.20/N=01P		
剥线长度/Stripping length(mm)	11~13		
使用温度范围/Operating temperature(°C)	-40~+105		
符合RoHS环保要求/Conform to RoHS	Yes		



12	Current carrier 5	Copper	Sn plated
11	DS4-HE 24V PCB	/	/
10	Torsional spring	Copper alloy	/
9	Cover	PA66	UL94V-0
8	Current carrier 4	Copper alloy	Sn plated
7	Current carrier 3	Copper alloy	Sn plated
6	Fuse Housing	PA66	UL94V-0
5	Button	PA66+GF	UL94V-0
4	Spring	Stainless steel	/
3	Current carrier 2	Copper alloy	Sn plated
2	Current carrier 1	Copper alloy	Sn plated
1	Housing	PA66	UL94V-0
ITEM	NAME OF PART	MATERIAL	NOTES

<b>DEGSON</b>		MATERIAL:	SURFACE/COLOR:	
APPD: 李根芳	2026.02.25	MAT NO./REV: 11040002011-1 / 00	MAT STATUS:	
CHKD: 马恩开	2026.02.25	NAME: DSKK4-HE-LD24-01P-13-00Z (H)		
DRFT: 瑞雪寅	2026.02.25	DRAWING NO. 200432479	TYPE: CUSTOMER DRAWING	DRAWING STATUS: work
REV: 00	ECN: /	DESCRIPTION: Initial version	SCALE: 1.2:1	SHEET: 1/1

00	/	Initial version	瑞雪寅	2026.02.25
REV	ECN	DESCRIPTION	DRFT	DATE

Transfer or duplication of this document as well as the utilization or communication of its contents are prohibited unless explicit authorization is granted. Violations will be liable for compensation. All rights reserved for patent. 复制或再行传播此文件以及其内容之利用或沟通均须经本公司之明确授权。未经许可之复制或再行传播者，本公司保留追究法律责任之权利。所有权利保留。