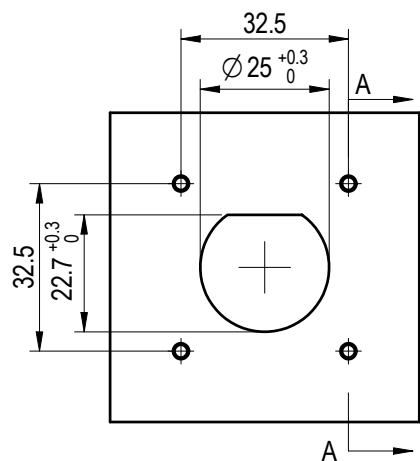
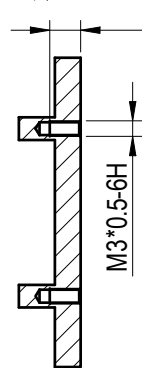


The Dimension Of Hole  
面板开孔尺寸



Section A-A  
截面 A-A



螺纹长度  
Screw length  $\geq 6$



3pcs/Set

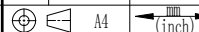


4pcs/Set



MATERIAL:		General tolerances (mm): ISO 2768-mK			
MAT NO./REV: 29030000086-1 / 01.01		MAT STATUS: 小批量			
APPD:		NAME			
CHKD:		PV-AC-S-03P-00Z(H)			
DRFT:		DRAWING NO.	TYPE	DRAWING STATUS	SCALE
		200337296	CUSTOMER DRAWING	work	2:1
					SHEET
					1/1

REV	ECN	DESCRIPTION	DRFT	DATE
00				



Transfer or duplication of this document as well as the utilization or communication of its contents are prohibited unless explicit authorization is granted. Violations will be liable for compensation. All rights reserved for patent, utility model or designs registrations. 除单独许可外，任何复制或传播、复制、利用、交流本文档内容、使用零件或数据等行为，均须事先获得本公司书面许可，否则将承担法律责任。本公司保留对专利及发明、实用新型和外观设计的所有权利。