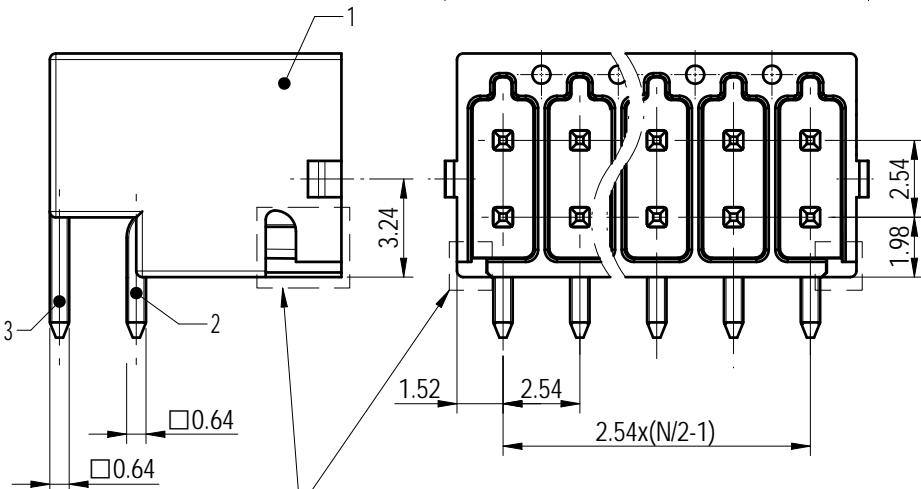
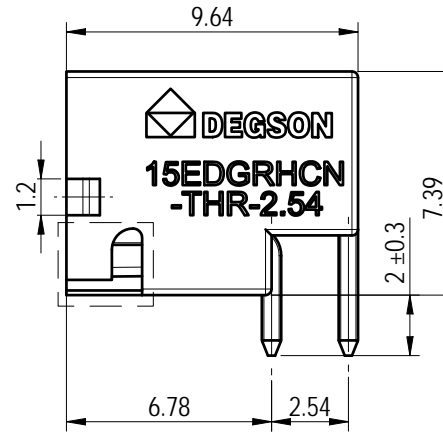
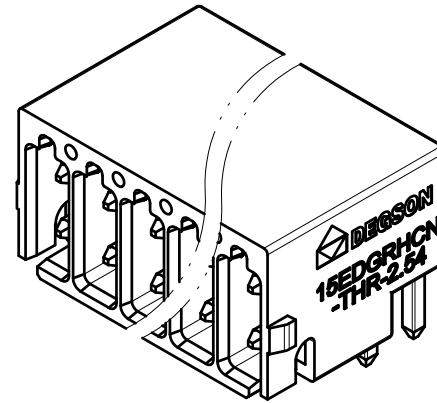
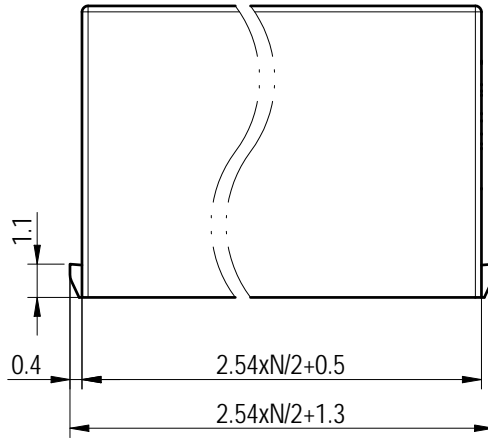
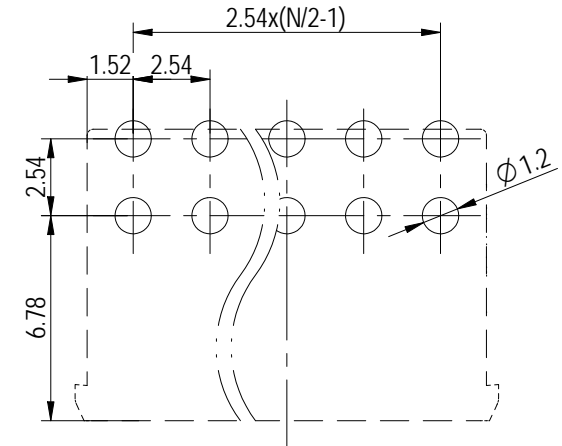


未注公差/General tolerances (mm)											0.1/10			
0 ~ 3	>3 ~ 6	>6 ~ 10	>10 ~ 18	>18 ~ 30	>30 ~ 50	>50 ~ 80	>80 ~ 120	>120 ~ 180	>180 ~ 250	>250 ~ 315		>315 ~ 400	>400 ~ 500	>500
±0.12	±0.18	±0.22	±0.26	±0.31	±0.37	±0.57	±0.80	±0.93	±1.05	±1.15	±1.60	±2.20	±2.50	±2'

PCB LAYOUT



04-12P, There are card slots on both sides  
14-48P, There are no card slots on either side

UL 标准/UL Standard:	B	C	D
额定电压/电流/Rated Voltage(V)/Current(A)	150/6	50/6	/
IEC 标准/IEC Standard:			
过压类别/Over voltage Category/污染等级/Pollution Degree	III/3	III/2	II/2
额定电压/电流/Rated Voltage(V)/Current(A)	100/6	200/6	320/6
额定脉冲电压(KV)/Rate Impulse Voltage(KV)	2.5	2.5	2.5
间距/Pitch(mm)/线数范围/Poles	2.54/N=04-48P		
使用温度范围/Operating temperature(°C)	-30~+120		
符合RoHS环保要求/Conform to RoHS	Yes		

3	Long Pin	Copper	Au Plated
2	Short Pin	Copper	Au Plated
1	Housing	Thermoplastic	UL94V-0
ITEM	NAME OF PART	MATERIAL	NOTES

<b>DEGSON</b>		MATERIAL:	SURFACE/COLOR:	
APPD: 蓝贵凡 2025.09.15		MAT NO./REV: - / 00		MAT STATUS: 小批量
CHKD: 周锡锦 2025.09.15		NAME		
DRFT: 周锡锦 2025.09.15		15EDGRHCN-THR-2.54-XXP-1Y-00Z (H)		
DRAWING NO.	TYPE	DRAWING STATUS	SCALE	SHEET
200046480	CUSTOMER DRAWING	已发布	5:1	1/1

01			周锡锦	2025.09.15
REV	ECN	DESCRIPTION	DRFT	DATE

Transfer or duplication of this document as well as the utilization or communication of its content are prohibited unless authorized in writing by DEGSON. All rights reserved for patent, utility model or design registrations. 除专利等明确标注外，其他内容均受法律保护。未经授权，不得复制或传播。 保留所有权利，未经许可，不得复制或传播。