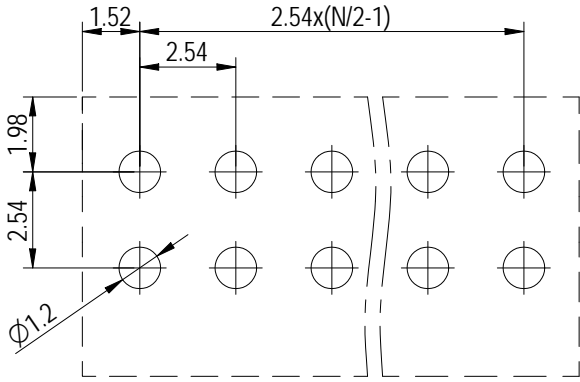
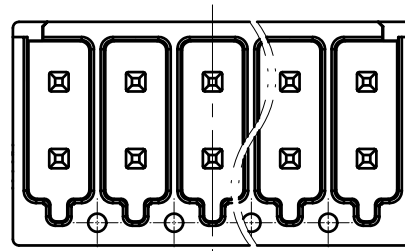
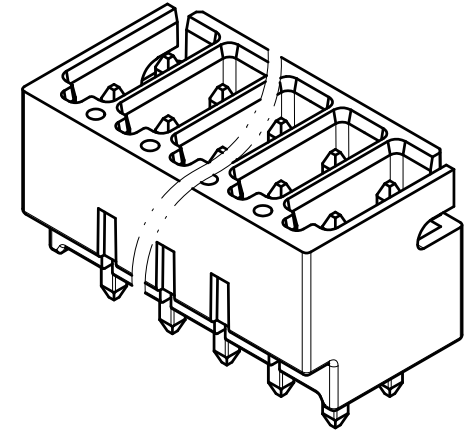


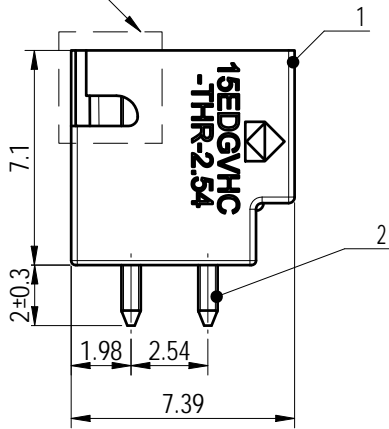
PCB LAYOUT



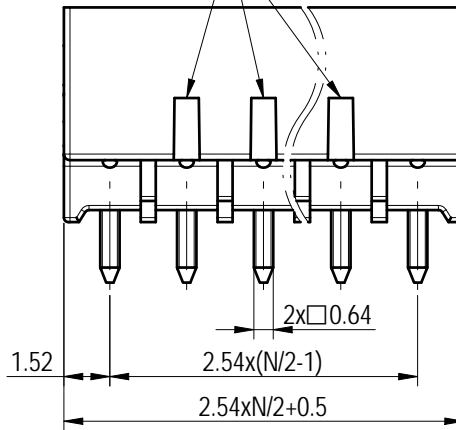
未注公差/General tolerances (mm)													0.1/10	
0	>3	>6	>10	>18	>30	>50	>80	>120	>180	>250	>315	>400		>500
±0.12	±0.18	±0.22	±0.26	±0.31	±0.37	±0.57	±0.80	±0.93	±1.05	±1.15	±1.60	±2.20	±2.50	±2'



04-12P, There are card slots on both sides
14-48P, There are no card slots on either side



When the plastic part is arranged in a single row with an odd number of sections, there are three slots;
when it is arranged in a single row with even number of sections, there are two slots,
and the slots are always positioned in the center.



ITEM	NAME OF PART	MATERIAL	NOTES
2	Pin	Copper	Au Plated
1	Housing	Thermoplastic	UL94V-0

UL 标准/UL Standard:		B	C	D
额定电压/电流/Rated Voltage(V)/Current(A)		150/6	50/6	/
IEC 标准/IEC Standard:				
过压类别/Over voltage Category/污染等级/Pollution Degree		III/3	III/2	II/2
额定电压/电流/Rated Voltage(V)/Current(A)		63/6	160/6	320/6
额定脉冲电压(KV)/Rate Impulse Voltage(KV)		2.5	2.5	2.5
间距/Pitch(mm)/线数范围/Poles		2.54/N=04~48P		
使用温度范围/Operating temperature(°C)		-30~+120		
符合RoHS环保要求/Conform to RoHS		Yes		

DEGSON		MATERIAL:	SURFACE/COLOR:		
APPD: 龚耀志 2025.06.24		MAT NO./REV: - / 00		MAT STATUS: 样品	
CHKD: 周锡锦 2025.06.24		NAME			
DRFT: 周锡锦 2025.06.24		15EDGVHC-THR-2.54-XXP-1Y-00Z (H)			
DRAWING NO. 200351442		TYPE CUSTOMER DRAWING		DRAWING STATUS 已发布	
SCALE 5:1		SHEET 1/1			

REV	ECN	DESCRIPTION	DRFT	DATE
00			周锡锦	2025.06.24

Transfer or duplication of this document as well as the utilization or communication of its contents are prohibited unless authorized in writing by Degson. All rights reserved for patent. 未经授权复制或传播本文件内容及利用其内容均属于侵权行为。保留所有权利。如有任何疑问，请联系 Degson 销售或技术支持。