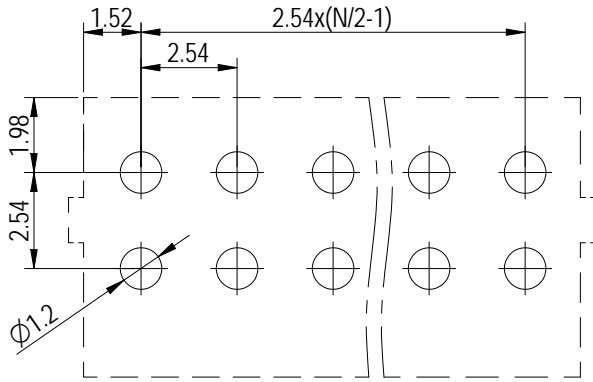
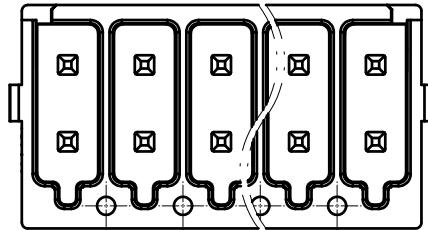


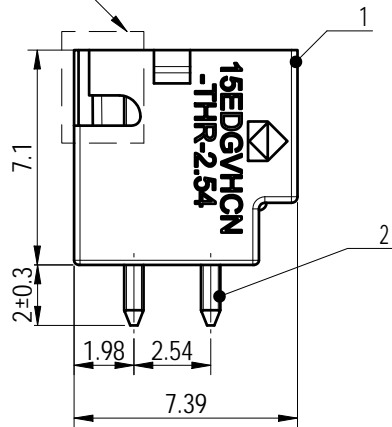
PCB LAYOUT



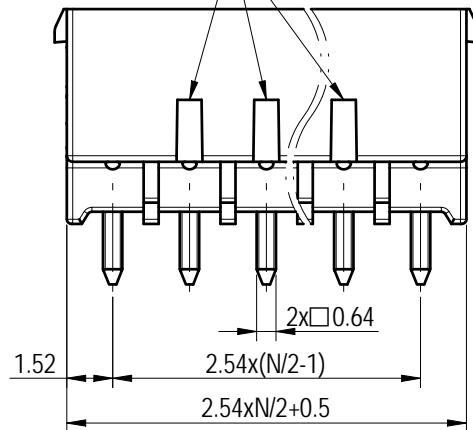
未注公差/General tolerances (mm)													0.1/10	
0 ~ 3	>3 ~ 6	>6 ~ 10	>10 ~ 18	>18 ~ 30	>30 ~ 50	>50 ~ 80	>80 ~ 120	>120 ~ 180	>180 ~ 250	>250 ~ 315	>315 ~ 400	>400 ~ 500		>500
±0.12	±0.18	±0.22	±0.26	±0.31	±0.37	±0.57	±0.80	±0.93	±1.05	±1.15	±1.60	±2.20	±2.50	±2'



04-12P, There are card slots on both sides  
14-48P, There are no card slots on either side



When the plastic part is arranged in a single row with an odd number of sections, there are three slots;  
when it is arranged in a single row with even number of sections, there are two slots,  
and the slots are always positioned in the center.



ITEM	NAME OF PART	MATERIAL	NOTES
2	Pin	Copper	Au Plated
1	Housing	Thermoplastic	UL94V-0

UL 标准/UL Standard:	B	C	D
额定电压/电流/Rated Voltage(V)/Current(A)	150/6	50/6	/
IEC 标准/IEC Standard:			
过压类别/Ov ervoltage Category/污染等级/Pollution Degree	III/3	III/2	II/2
额定电压/电流/Rated Voltage(V)/Current(A)	63/6	160/6	320/6
额定脉冲电压(KV)/Rate Impulse Voltage(KV)	2.5	2.5	2.5
间距/Pitch(mm)/线数范围/Poles	2.54/N=04-48P		
使用温度范围/Operating temperature(°C)	-30~+120		
符合RoHS环保要求/Conform to RoHS	Yes		

<b>DEGSON</b>		MATERIAL:	SURFACE/COLOR:
APPD: 龚耀志 2025.06.24		MAT NO./REV: - / 00	MAT STATUS: work
CHKD: 周锡锦 2025.06.24		NAME	
DRFT: 周锡锦 2025.06.24		15EDGVHCN-THR-2.54-XXP-1Y-00Z (H)	
DRAWING NO.	TYPE	DRAWING STATUS	SCALE
200336967	CUSTOMER DRAWING	已发布	5:1
SHEET		1/1	

REV	ECN	DESCRIPTION	DRFT	DATE
00			周锡锦	2025.06.24

Transfer or duplication of this document as well as the utilization or communication of its content are prohibited unless authorized in writing by Degson. All rights reserved for patent. 除专利注明授权外，其他内容均受版权保护。未经许可，不得复制或传播。 0.1/10