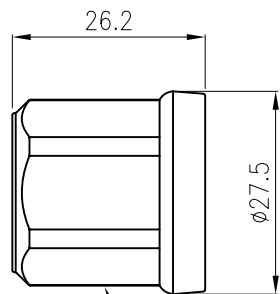
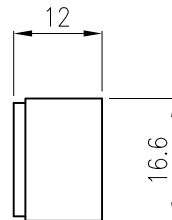


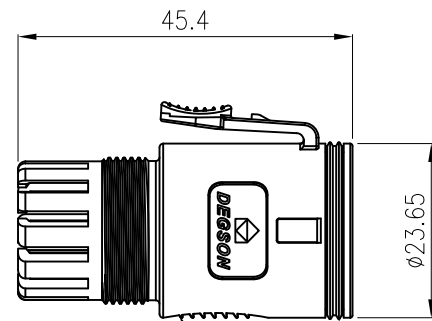
Dimensional tolerance(mm)					Length tolerance(mm)				0.10/10 /
0 ~ 30	>30 ~ 60	>60 ~ 100	>100 ~ 150	>150	0 ~ 5000	5000 ~ 10000	10000 ~ 30000	>30000	
±0.25	±0.35	±0.55	±0.80	±1.10	±55	±105	±205	±505	±2'
使用温度范围/Operating temperature(°C)								-40~+80	
防护等级/Ingress Protection								IP67(对插后)	
符合RoHS环保要求/Conform to RoHS								Yes	



螺母



线缆密封圈



外壳

防水圈

00			Yuan zh	2023.01.06
REV	ECN	DESCRIPTION	DRFT	DATE

		MATERIAL: /	SURFACE/COLOR: /		
		MAT NO./REV: 00	MAT STATUS: /		
APPD: /	/	NAME RJ-P-P5E-CFL7001-00Z(H)			
CHKD: /	/				
DRFT: Yuan ZH	2023.01.06	DRAWING NO. /	TYPE CUSTOMER DRAWING	DRAWING STATUS /	SHEET 1/1
A4		mm (inch)			

Transfer or indication of this document as well as the publication or communication of its contents are prohibited unless explicit authorizations are granted. All rights reserved for patent, utility, model or designs registrations. 非经许可擅自复制或传播, 否则法律责任自负。 未经授权擅自复制或传播, 否则法律责任自负。 未经授权擅自复制或传播, 否则法律责任自负。