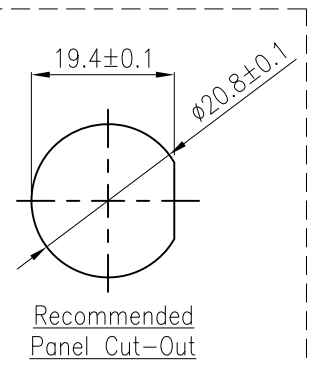
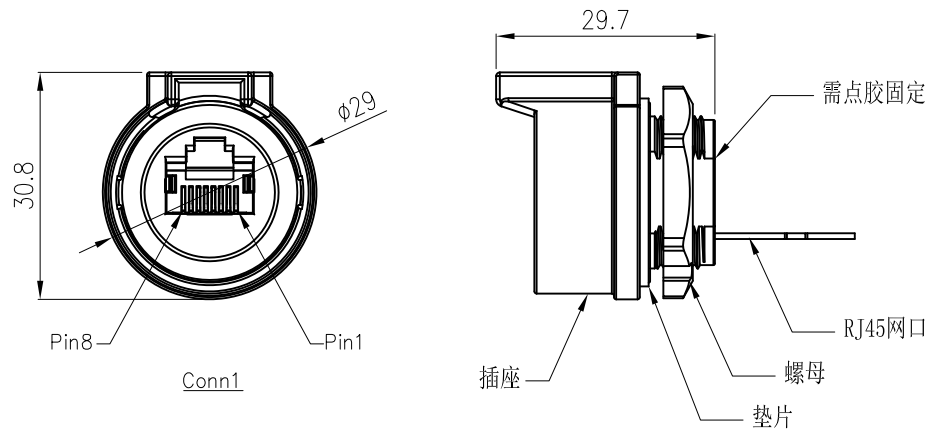


Dimensional tolerance(mm)					Length tolerance(mm)				0.10/10 /
0 ~ 30	>30 ~ 60	>60 ~ 100	>100 ~ 150	>150	0 ~ 5000	5000 ~ 10000	10000 ~ 30000	>30000	
±0.25	±0.35	±0.55	±0.80	±1.10	±55	±105	±205	±505	±2'
额定电压电流/Rated Voltage/Current						30V /1A			
插拔次数/Mechanical working life(mating cycles)						750			
绝缘电阻/Insulation resistance						≥500MΩ			
耐电压/Withstanding voltage						1000V/1Min			
使用温度范围/Operating temperature(°C)						-40~+85			
防护等级/Ingress Protection						IP67(对插后)			
符合RoHS环保要求/Conform to RoHS						Yes			



00			Yuan ZH	2023.07.07		MATERIAL:	/	SURFACE/COLOR:	/
REV	ECN	DESCRIPTION	DRFT	DATE		MAT NO./REV:	00	MAT STATUS:	/
					NAME	RJ-S-P5E-CFL7A-X-00Z (H)			
					DRAWING NO.	TYPE	DRAWING STATUS	SCALE	SHEET
					A4	CUSTOMER DRAWING	/	1:1	1/1

Transfer or indication of this document as well as the utilization or communication of its contents are prohibited unless explicit authorizations are granted. All rights reserved for patent, utility, model or designs registrations. 非经许可擅自复制或传播, 否则法律责任自负。 本公司保留对涉及专利、实用新型的外观专利的所有权利。