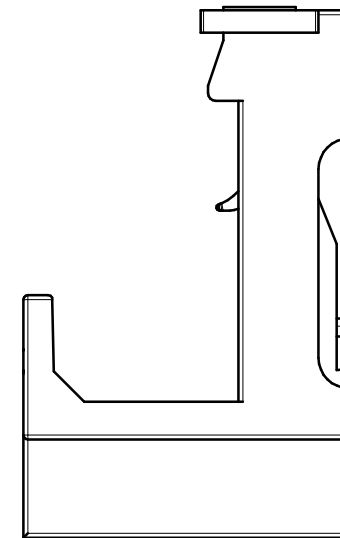
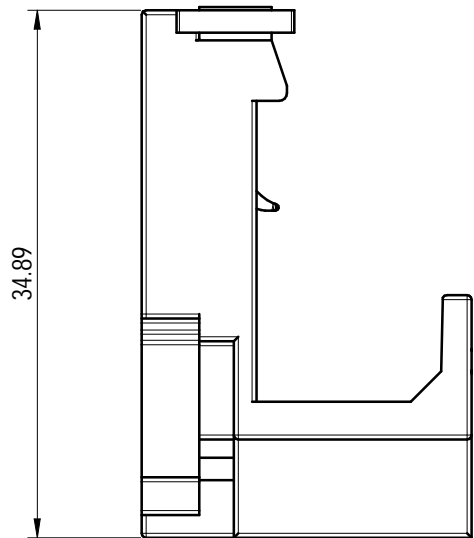
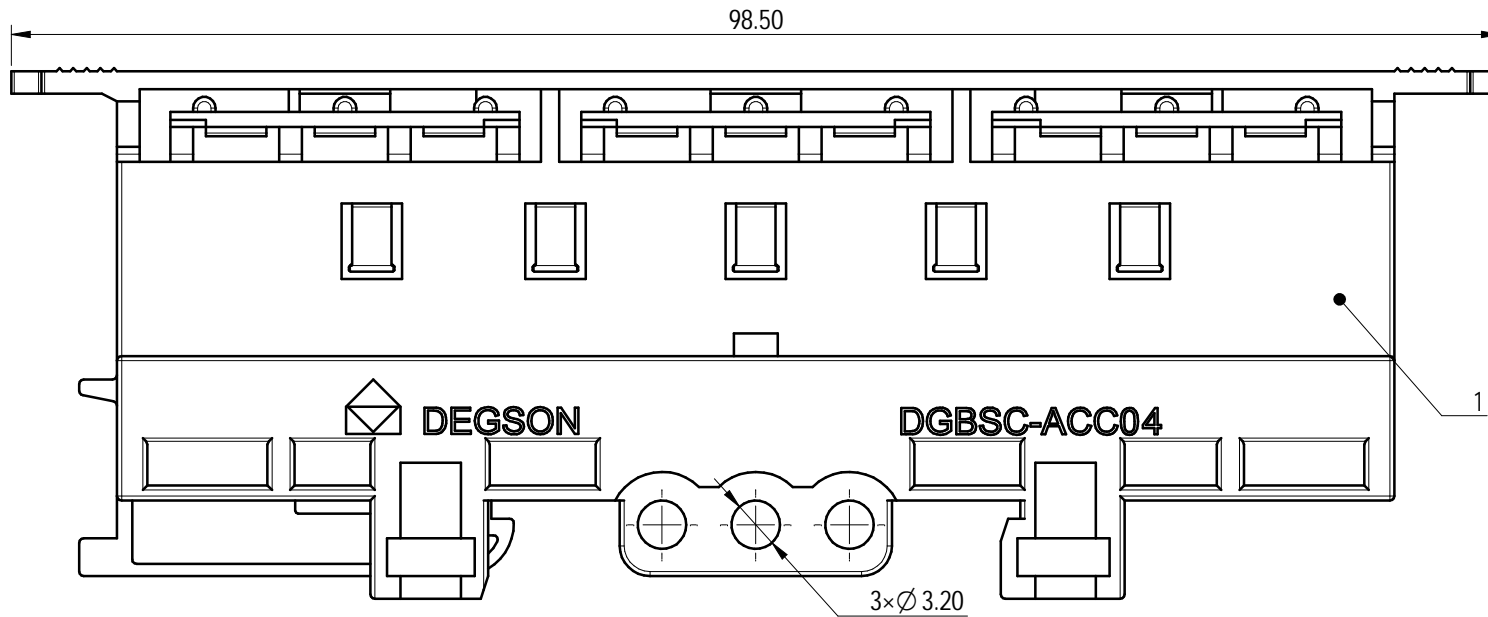
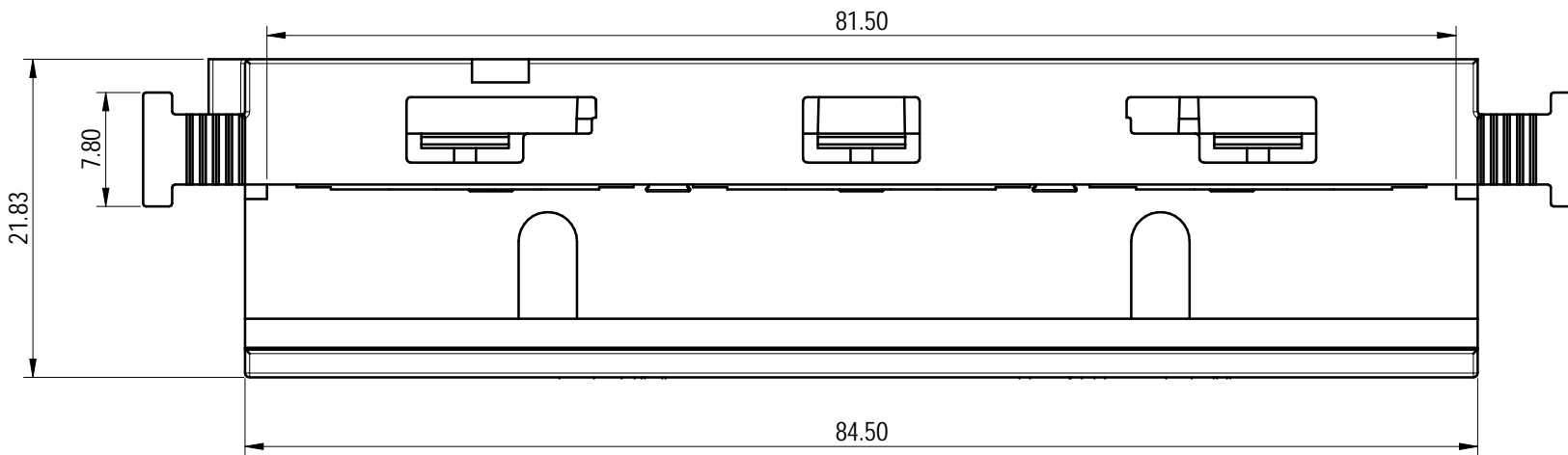
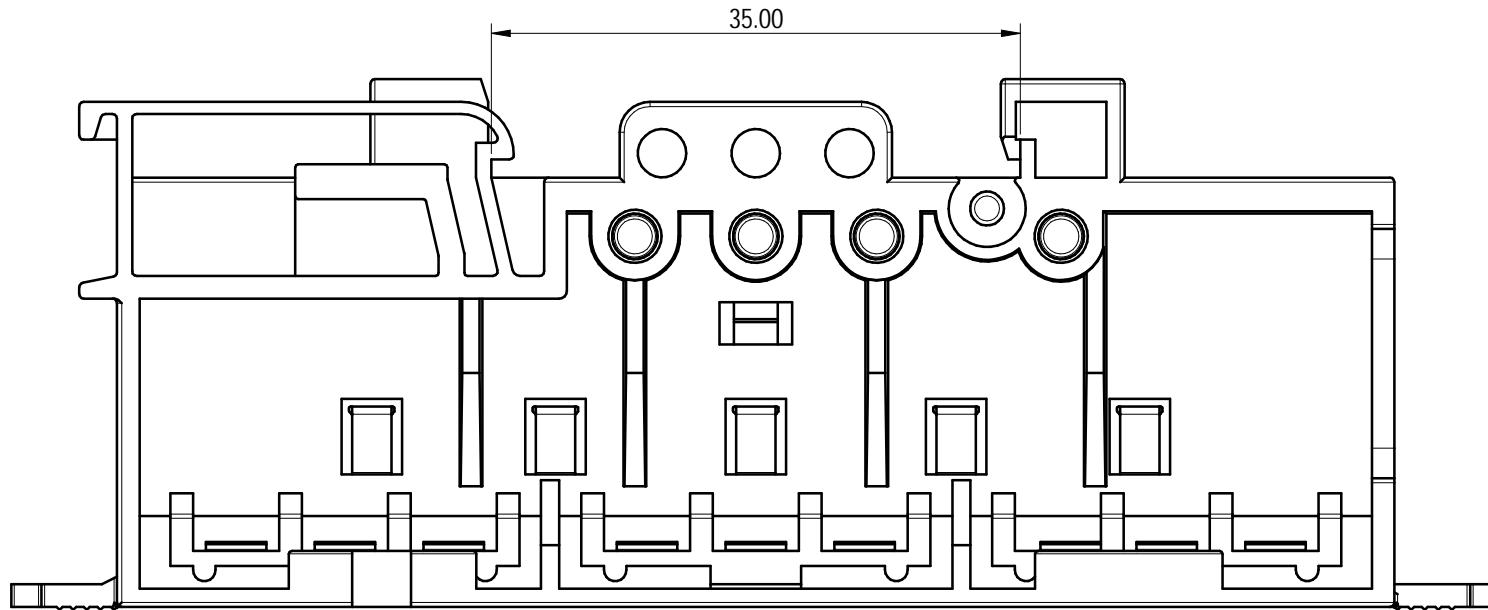
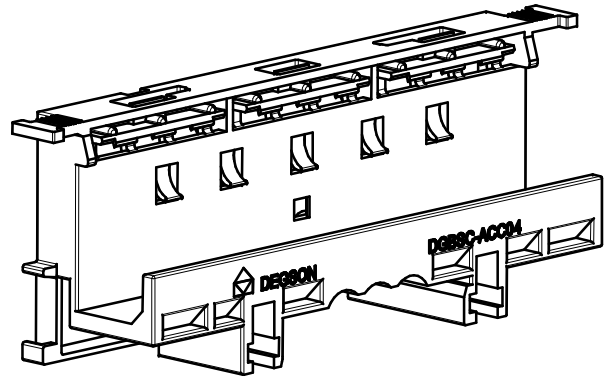


未注公差/General tolerances (mm)											0.1/10 ±2°		
0 ~ 3	>3 ~ 6	>6 ~ 10	>10 ~ 18	>18 ~ 30	>30 ~ 50	>50 ~ 80	>80 ~ 120	>120 ~ 180	>180 ~ 250	>250 ~ 315		>315 ~ 400	>400 ~ 500
±0.12	±0.18	±0.22	±0.26	±0.31	±0.37	±0.57	±0.80	±0.93	±1.05	±1.15	±1.60	±2.20	±2.50

please refer to the 3D model, for those unmarked dimensions.



1	Housing	PA66	UL94V-0
ITEM	NAME OF PART	MATERIAL	NOTES
使用温度范围/Operating temperature(°C)			-40~+105
符合RoHS环保要求/Conform to RoHS			Yes

DEGSON		MATERIAL: PA66	SURFACE/COLOR:	
APPD: 龚耀志	2025.12.25	MAT NO./REV: /	MAT STATUS: 小批量	
CHKD: 朱伟明	2025.12.25	NAME: DGBSC-ACC04-1Y-00Z (H)		
DRFT: 包新棉	2025.12.25	DRAWING NO. 200362702	TYPE: CUSTOMER DRAWING	DRAWING STATUS: work
REV	ECN	DESCRIPTION	SCALE: 2:1	SHEET: 1/1

01			包新棉	2025.12.25
REV	ECN	DESCRIPTION	DRFT	DATE

Transfer or duplication of this document as well as the utilization or communication of its contents are prohibited unless explicit authorization is granted. Violations will be liable for compensation. All rights reserved for patent. 复制或再行传播此文件以及其内容之利用或沟通均须经本公司明确授权。未经授权擅自复制或传播者，本公司保留追究法律责任。 未经授权擅自复制或传播者，本公司保留追究法律责任。