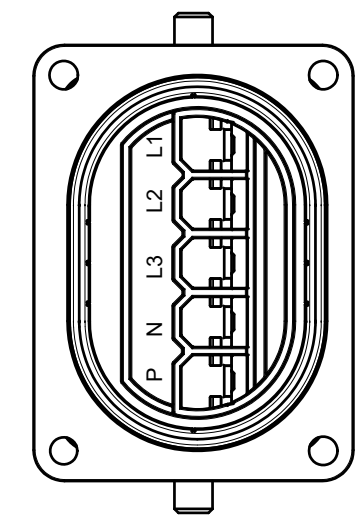
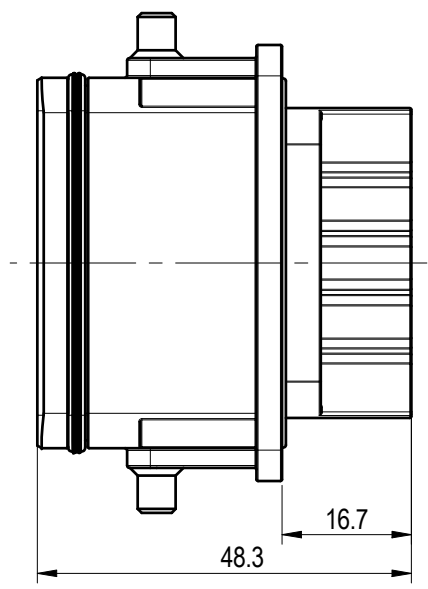
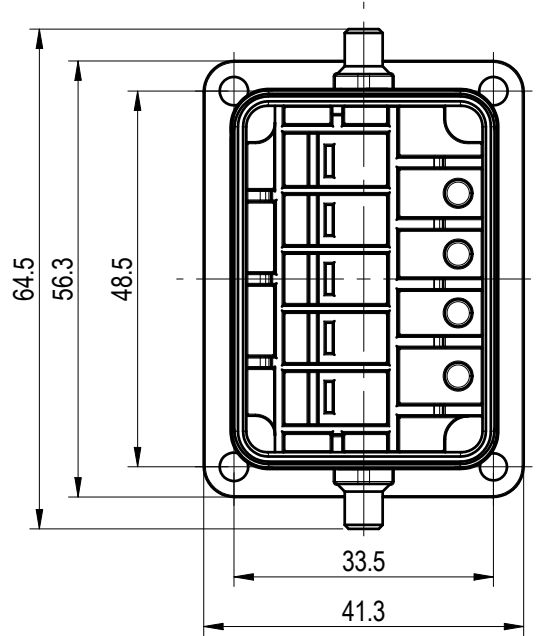
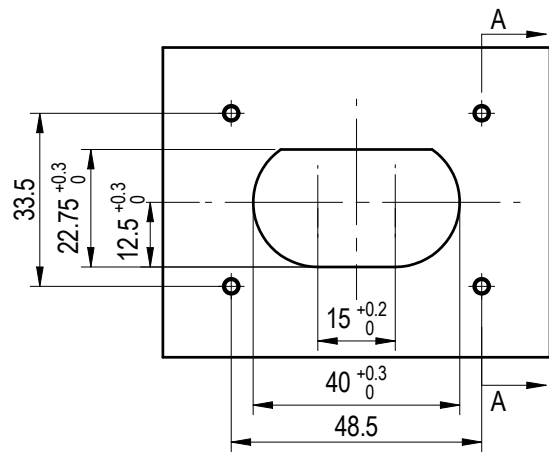


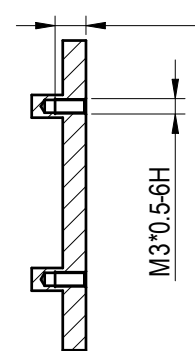
Transfer or duplication of this document as well as the utilization or communication of its contents are prohibited unless explicit authorization is granted. Violations will be liable for compensation. All rights reserved for patent, utility model or design registrations. 除本图外，不得复制或传播本图内容。未经本图设计单位书面许可，不得复制或传播本图内容。侵权必究。 本公司保留对产品及专利、实用新型及外观设计的所有权利。



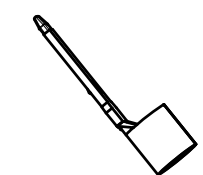
The Dimension Of Hole  
面板开孔尺寸



Section A-A  
截面 A-A



螺纹长度  
Screw length ≥ 6



5pcs/Set



4pcs/Set

		MATERIAL:		General tolerances(mm):ISO 2768-mK		
		MAT NO./REV: 29030000083-1 / 01.01		MAT STATUS: 小批量		
APPD:		NAME				
CHKD:		PV-AC-S-05P-00Z (H)				
DRFT:		DRAWING NO.	TYPE	DRAWING STATUS	SCALE	SHEET
		200337305	CUSTOMER DRAWING	work	2:1	1/2

REV	ECN	DESCRIPTION	DRFT	DATE
00				