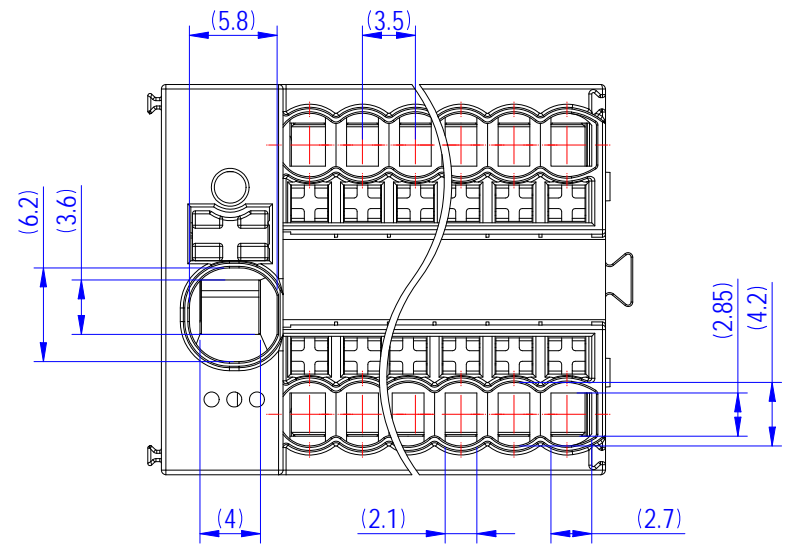
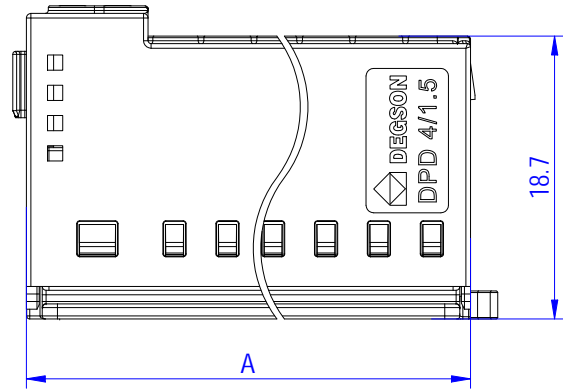
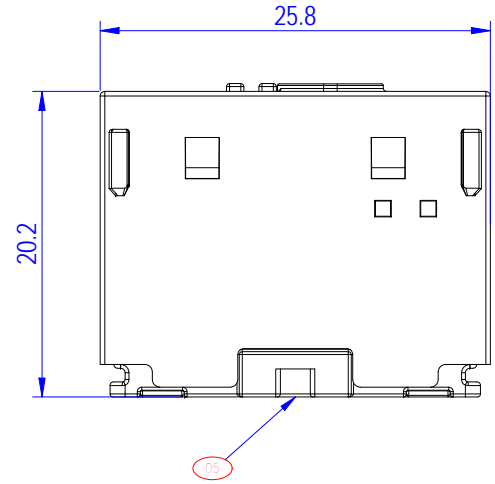


Transfer or duplication of this document as well as the utilization or communication of its content are prohibited unless specifically authorized in writing by Degson. All rights reserved for patent, utility model or design registrations. 除专利、实用新型、外观设计、软件著作权等知识产权外，其他权利均归德松公司所有。未经许可，不得复制或传播本文件内容。

未注公差/General tolerances (mm)											0.1/10			
0 ~ 3	>3 ~ 6	>6 ~ 10	>10 ~ 18	>18 ~ 30	>30 ~ 50	>50 ~ 80	>80 ~ 120	>120 ~ 180	>180 ~ 250	>250 ~ 315		>315 ~ 400	>400 ~ 500	>500
±0.12	±0.18	±0.22	±0.26	±0.31	±0.37	±0.57	±0.80	±0.93	±1.05	±1.15	±1.60	±2.20	±2.50	±2'



UL 标准/UL Standard:	B	C	D
额定电压/电压/Rated Voltage (V)/Current (A)	线路端: 300/30 负载端: 300/15	线路端: 150/30 负载端: 150/15	线路端: 300/10 负载端: 300/10
IEC 标准/IEC Standard:			
过压类别/Overvoltage Category/污染等级/Pollution Degree	III/3	III/2	II/2
额定电压/电压/Rated Voltage (V)/Current (A)	线路端: 450/32 负载端: 450/17.5	/	/
最大负载电流/Maximum load current (A)	线路端: 41 (带6 mm²的导线连接) 负载端: 22 (带2.5 mm²的导线连接)	/	/
额定脉冲电压 (KV)/Rate Impulse Voltage (KV)	6	/	/
线径范围(硬线和软线)/Wire Range (rigid and flexible) (AWG/mm²)	负载端: 硬线 Rigid(AWG): 26~14(sol, str) Note: 14AWG (str) can only be used when the Maximum Overall Diameter (including jacket) is less than 3.5mm 软线 Flexible(AWG): 26~16 硬线 Rigid(mm²): 0.14 mm²~2.5 mm² 软线 Flexible(mm²): 0.14 mm²~1.5 mm² Flexible conductor cross section (ferrule without plastic sleeve): 0.14 mm²~1.5 mm² Flexible conductor cross section (ferrule with plastic sleeve): 0.14 mm²~1.0 mm² Note: 1.0 mm² ferrule can only be used when the Maximum outer Diameter of the plastic sleeve is less than 3.5mm 线路端: 硬线 Rigid(AWG): 24~10 软线 Flexible(AWG): 24~10 硬线 Rigid(mm²): 0.2 mm²~6 mm² 软线 Flexible(mm²): 0.2 mm²~4 mm² Flexible conductor cross section (ferrule with/without plastic sleeve): 0.2~4mm²		
间距/Pitch (mm)/线数范围/Poles	N=06P/12P/18P		
剥线长度/Stripping length (mm)	负载端: 11~12 线路端: 12~13		
使用温度范围/Operating temperature (°C)	-40~+105		



A (mm)	19.35	29.85	40.35
XXP	06P	12P	18P

ITEM	NAME OF PART	MATERIAL	NOTES
9	Button-Big	PA66+GF	UL94 V-0
8	Button-Small	PA66+GF	UL94 V-0
7	Current-Carrier-4	copper alloy	Sn Plated
6	Current-Carrier-1.5	copper alloy	Sn Plated
5	Spring-Big	Stainless steel	/
4	Spring-Small	Stainless steel	/
3	Housing-Top	PA66	UL94 V-0
2	Housing-Mid	PA66	UL94 V-0
1	Housing-Bottom	PA66	UL94 V-0

		MATERIAL:	SURFACE/COLOR:		
		MAT NO./REV: /	MAT STATUS: 小批量		
APPD: 彭敏	2025.09.16	NAME			
CHKD: 高卫国	2025.09.16	DPD4/1.5-XXP-1Y-00Z (H)			
DRFT: 陈科泽	2025.09.15	DRAWING NO.	TYPE	DRAWING STATUS	SCALE
		200314366	CUSTOMER DRAWING	已发布	1:1
					SHEET 1/1

REV	ECN	DESCRIPTION	DRFT	DATE
05		Increase the engagement strength, update the snap-fix structure	陈科泽	2025.09.15