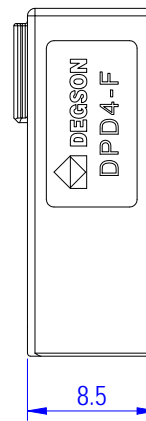
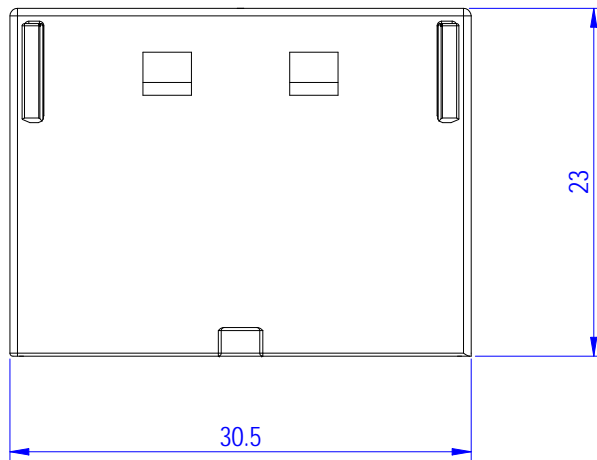
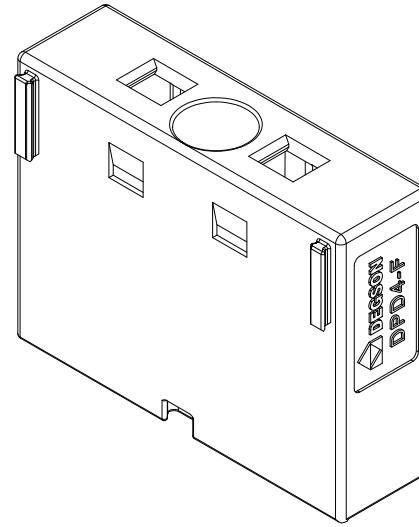
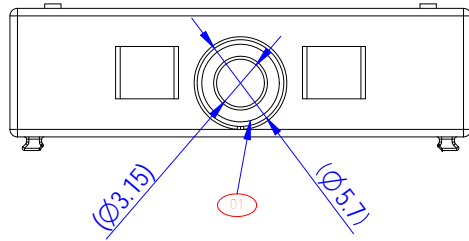


未注公差/General tolerances (mm)													0.1/10	
0 ~ 3	>3 ~ 6	>6 ~ 10	>10 ~ 18	>18 ~ 30	>30 ~ 50	>50 ~ 80	>80 ~ 120	>120 ~ 180	>180 ~ 250	>250 ~ 315	>315 ~ 400	>400 ~ 500		>500
±0.12	±0.18	±0.22	±0.26	±0.31	±0.37	±0.57	±0.80	±0.93	±1.05	±1.15	±1.60	±2.20	±2.50	±2'



1	Housing	PA66	UL94 V-0
ITEM	NAME OF PART	MATERIAL	NOTES
使用温度范围/Operating temperature(°C)			-40~+105
符合RoHS环保要求/Conform to RoHS			Yes

		MATERIAL: PA66	SURFACE/COLOR:			
		MAT NO./REV: /	MAT STATUS: 小批量			
APPD: 彭敏	2025.01.14	NAME				
CHKD: 高卫国	2025.01.10	DPD4-F-1Y-00Z (H)				
DRFT: 刘玉	2025.01.10	DRAWING NO.	TYPE	DRAWING STATUS	SCALE	SHEET
		200320352	CUSTOMER DRAWING	已发布	2:1	1/1

01		Reduce the screw hole depth by 0.40mm to avoid shrinkage	刘玉	2025.01.10
REV	ECN	DESCRIPTION	DRFT	DATE

Transfer or duplication of this document as well as the utilization or communication of its contents are prohibited unless authorized in writing by DEGSON. All rights reserved for patent, utility model or design registrations. 除零部件明确标注、发布禁止转让、复制、引用、外泄等文件外，所有文件均受版权保护。未经授权，不得复制或传播任何内容。