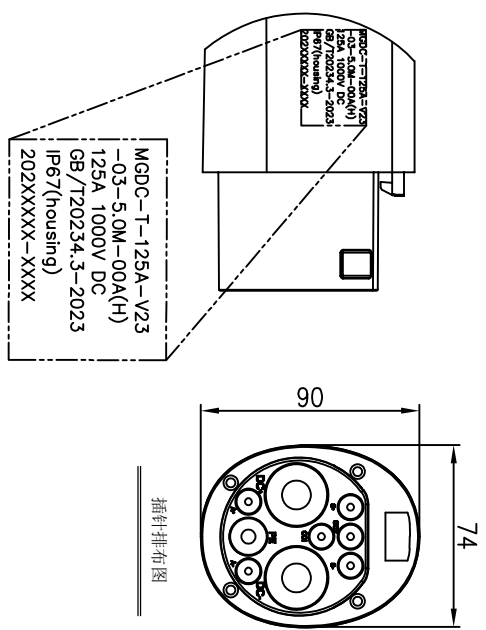
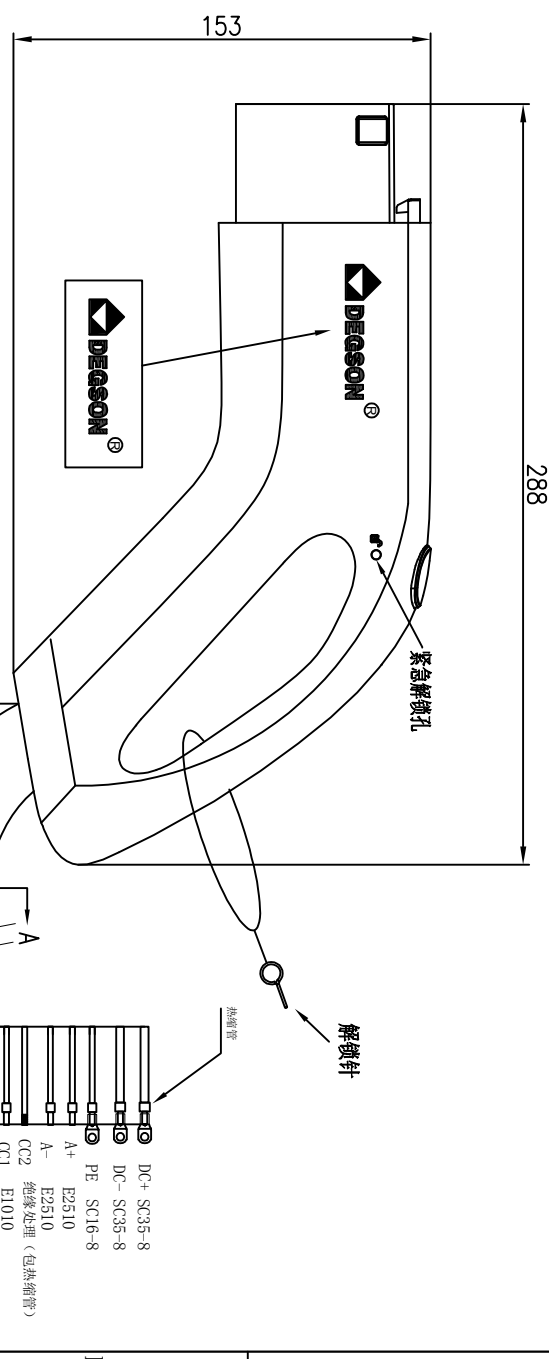


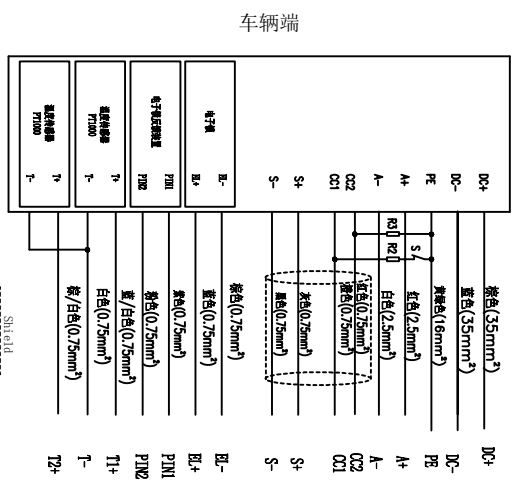
Transfer or duplication of this document as well as the utilization or communication of its contents are prohibited unless explicit authorization is granted. Violations will be liable for compensation. All rights reserved for patent, utility model or designs registrations. 除非给予明确授权, 否则禁止转让、复制、利用、交流本文件的内容, 侵犯者将承担赔偿责任, 本公司保留对涉及发明、实用新型和外观专利的所有权利。



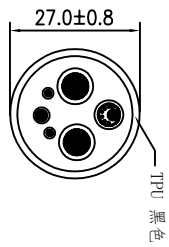
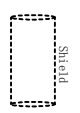
插针排布图



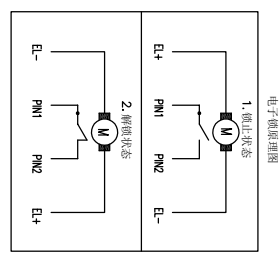
接线图



Notes: R2=1KΩ±5% R3=1KΩ±5%



电子锁制锁器:
 1. 当锁芯正向(2V)电压时, 电子锁的锁杆上锁, 需将开锁控制信号解除;
 2. 当锁芯反向(2V)电压时, 电子锁的锁杆解锁, 需将开锁控制信号解除;
 3. 如锁芯在异常, 电子锁无法自动解锁, 请手动解锁。
 最大电压: DC 12V (脉冲);
 电压范围: DC 12V±10%;
 最大电流: 250mA;
 最大时间: <1500ms;
 最大寿命: 10⁵ (不含寿命时程);
 最大寿命: 10⁵ (不含寿命时程);



电子锁原理图

额定电压/Rated voltage	1000V DC 125A
绝缘电阻/Insulate resistance	>500MΩ;500V DC 1min
耐压/Withstanding voltage	DC+、DC- and PE 3500V AC 1min
防护等级/Ingress protection	IP67(housing)
插拔寿命/Insertion/Pullout times	10,000 Times
插拔力/Insertion/Pullout force	<140N
使用温度范围/Operating temperature(°C)	-30~+50
线材规格/Cable specification	2*35+1*(6+2)*2.5+(4*0.75)(P2)+7*0.75
标准/Reference standard	GB/T 20234.3-2023
符合RoHS环保要求/Conform to RoHS	Yes

WATERMARK: / DO-1 MAT STATUS: SURFACE/COLOR: Yes

REV	ECN	DESCRIPTION	DRAFT	DATE	DRAWING NO.	TITLE	DRAWING STATUS	SCALE	SHEET
					MGDC-T-125A-V23-03-5.0M-00A(H)	CUSTOMER DRAWING		1:6	1/1