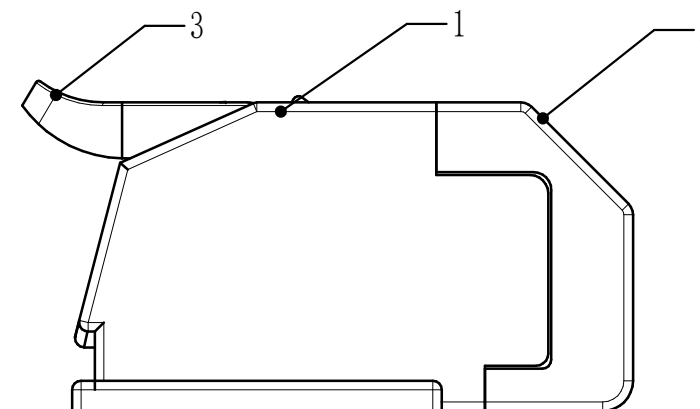
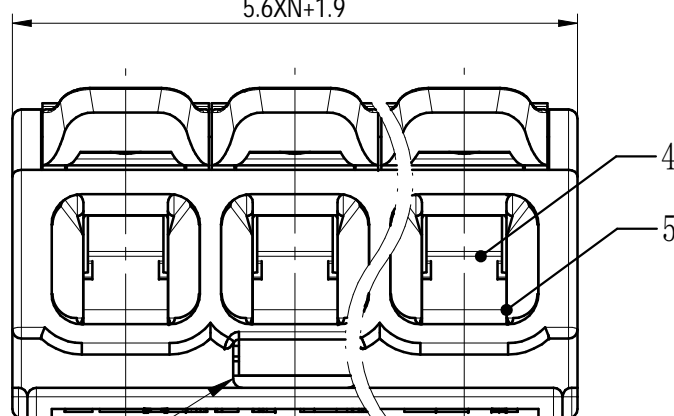
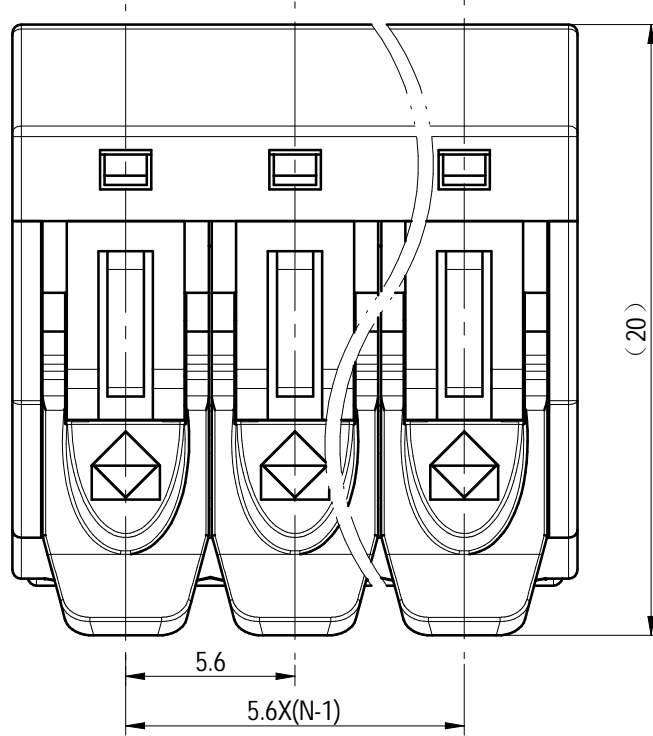
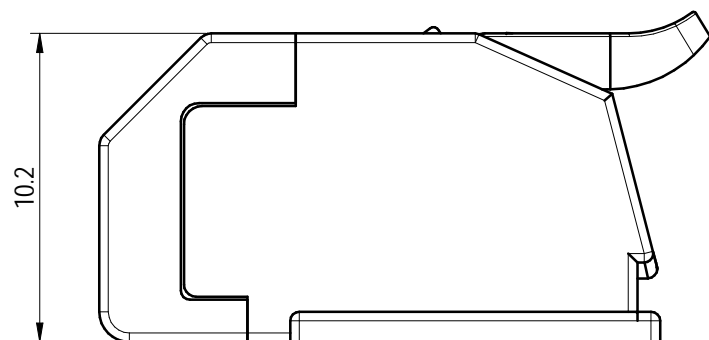
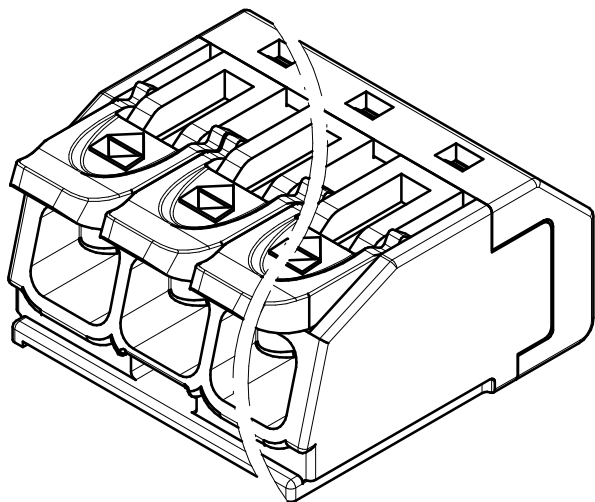
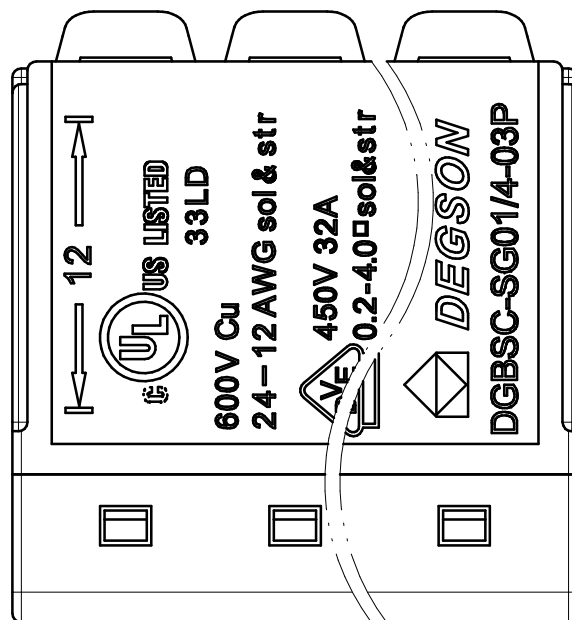
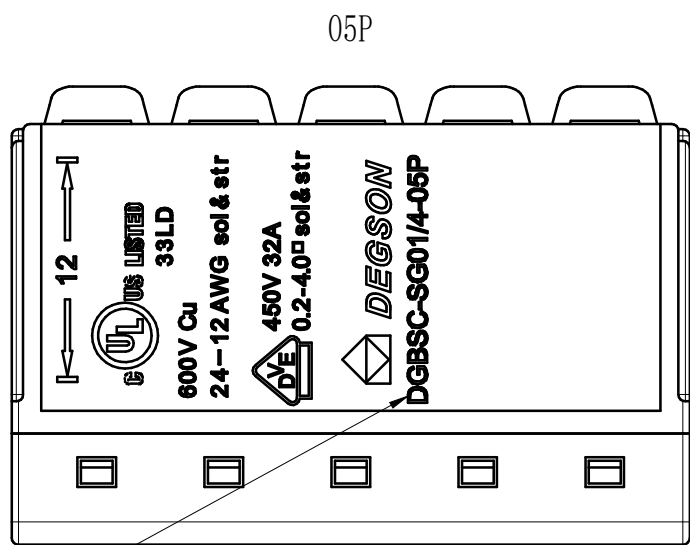
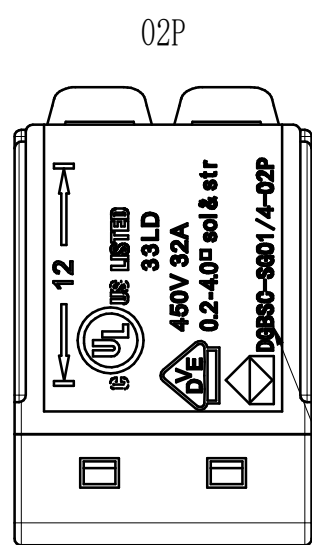


Please refer to the 3D model for those unmarked dimensions



The test hole at 02P is on the right



未注公差/General tolerances(mm)														
0	>3	>6	>10	>18	>30	>50	>80	>120	>180	>250	>315	>400	>500	0.1/10
~	~	~	~	~	~	~	~	~	~	~	~	~	~	±2'
±0.12	±0.18	±0.22	±0.26	±0.31	±0.37	±0.57	±0.80	±0.93	±1.05	±1.15	±1.60	±2.20	±2.50	
UL 标准/UL Standard:														
额定电压/Rated Voltage(V)														
600														
IEC 标准/IEC Standard:														
过压类别/Overvoltage Category/污染等级/Pollution Degree														
III/3 III/2 II/2														
额定电压/电流/Rated Voltage(V)/Current(A)														
/ 450/32 /														
工频耐压/Withstanding voltage(V/1Min)														
/ AC2500 /														
线径范围(硬线和软线)/Wire Range(rigid and flexible)(AWG/mm²)														
24-12 / 0.2-4.0														
间距/Pitch(mm)/线数范围/Poles														
5.6/N=02P/03P/05P														
剥线长度/Stripping length(mm)														
12														
使用温度范围/Operating temperature(°C)														
-40~+85 (IEC)														
符合RoHS环保要求/Conform to RoHS														
Yes														
Mark:DGBSC-SG01/4-02P: 600V Cu														
24-12AWG sol&str														

5	Current carrier	Copper	Sn Plated
4	Spring	Stainless steel	/
3	Button	Thermoplastic	UL94V-0
2	Cover	PC	UL94V-2
1	Housing	PC	UL94V-2
ITEM	NAME OF PART	MATERIAL	NOTES

		MATERIAL: 材质	SURFACE/COLOR: 表面处理	
APPD: 核准人		MAT NO./REV: 物料编码 / 版本	MAT STATUS: 物料状态	
CHKD: 审核人		NAME		
DRFT: 设计人		DGBSC-SG01/4-XXP(17-200ZH)		
图号		DRAWING NO.	TYPE	DRAWING STATUS
图纸类型		图号	图纸类型	图纸状态
SCALE		SCALE		SHEET
1:1		1:1		1/1

图纸版本	ECN	变更描述	设计人	设计日期
REV	ECN	DESCRIPTION	DRFT	DATE

Transfer or duplication of this document as well as the utilization or communication of its contents are prohibited unless explicit authorization is granted. Violations will be liable for compensation. All rights reserved for patent. 复制或再行传播此文件以及其内容的利用或沟通均被禁止, 未经授权, 擅自复制或再行传播, 侵权者将承担法律责任。本公司保留所有权利。