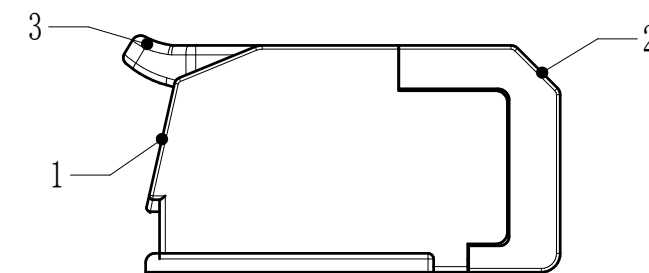
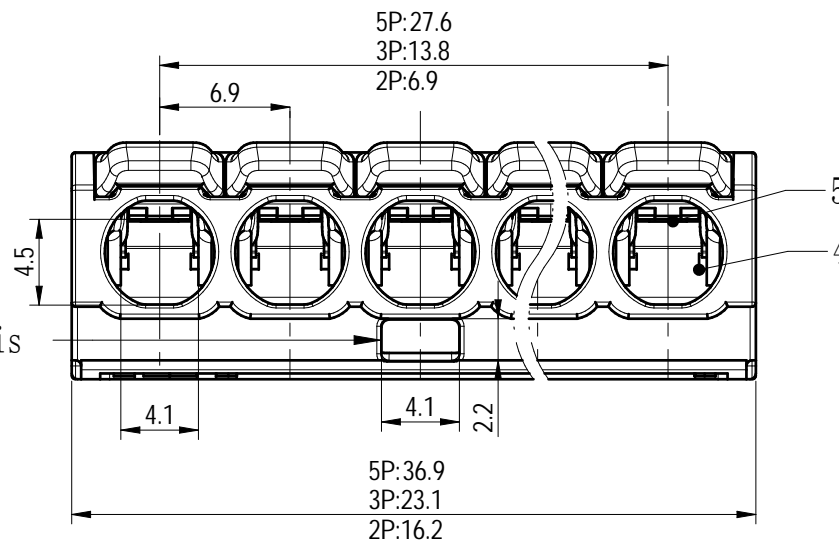
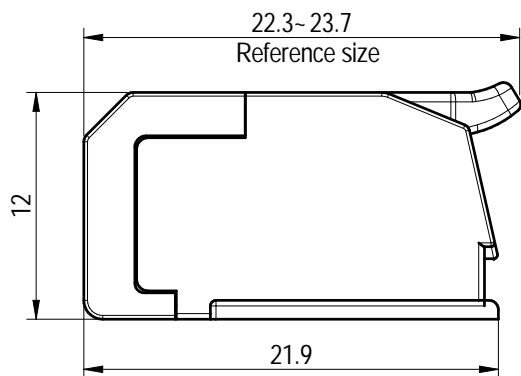
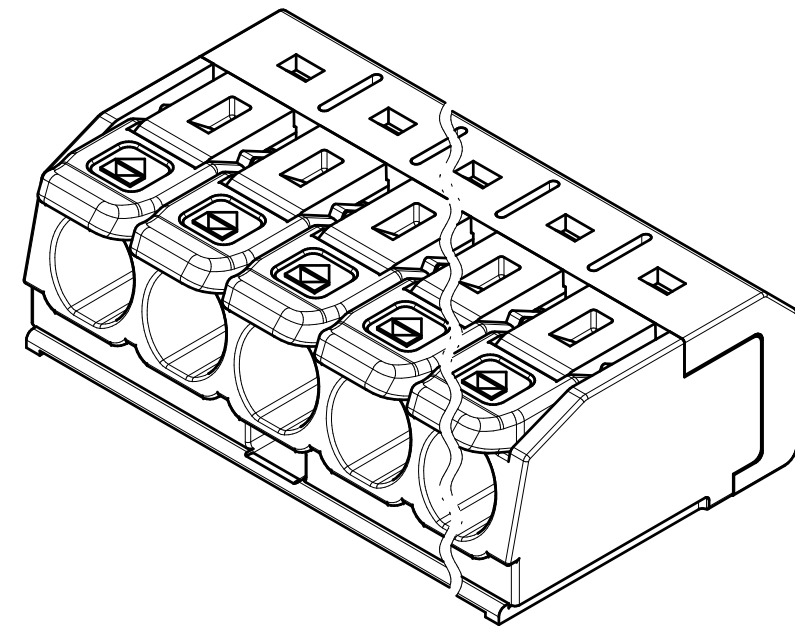
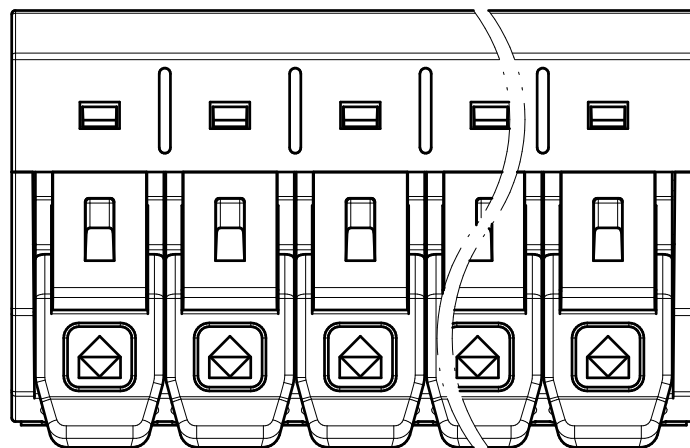
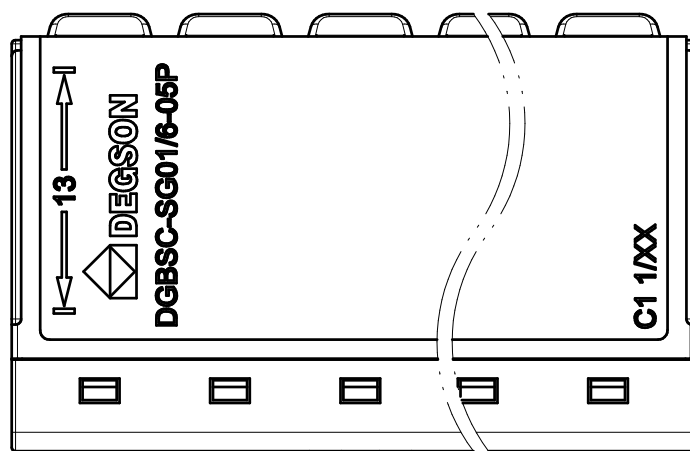
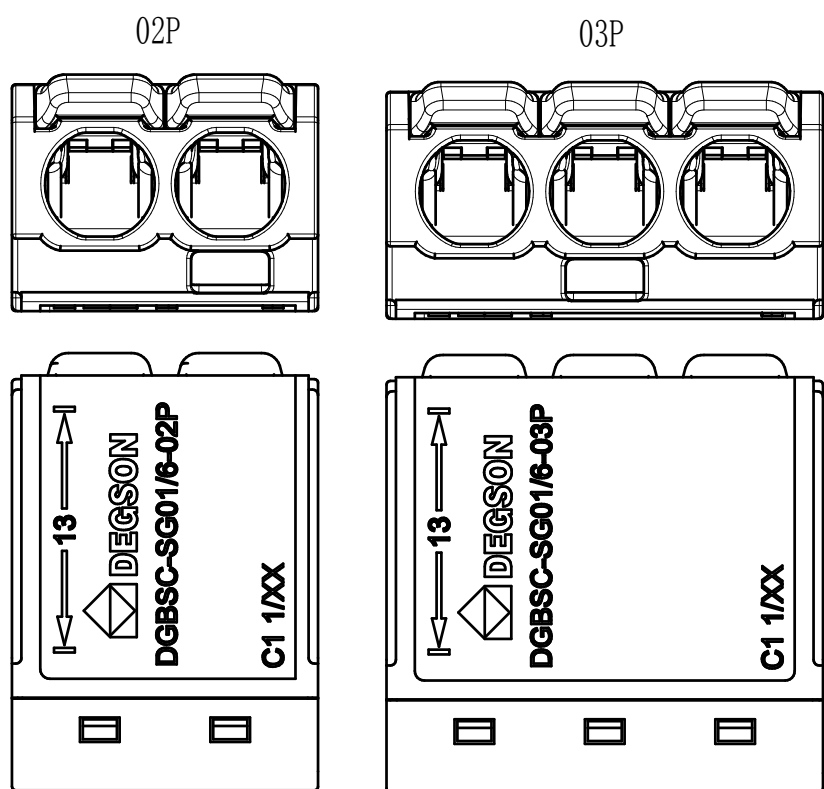


未注公差/General tolerances(mm)											0.1/10 ±2°		
0~3	>3~6	>6~10	>10~18	>18~30	>30~50	>50~80	>80~120	>120~180	>180~250	>250~315		>315~400	>400~500
±0.12	±0.18	±0.22	±0.26	±0.31	±0.37	±0.57	±0.80	±0.93	±1.05	±1.15	±1.60	±2.20	±2.50



The test hole at 02P is on the right



ITEM	NAME OF PART	MATERIAL	NOTES
5	Current carrier	Copper	Sn Plated
4	Spring	Stainless steel	/
3	Button	PA66+GF	UL94V-0
2	Cover	PC	UL94V-2
1	Housing	PC	UL94V-2

UL 标准/UL Standard:			B	C	D
额定电压/电流/Rated Voltage(V)/Current(A)			/	600/30	/
IEC 标准/IEC Standard:					
过压类别/Ovenvoltage Category/污染等级/Pollution Degree			III/3	III/2	II/2
额定电压/电流/Rated Voltage(V)/Current(A)			/	/	450/41
额定脉冲电压(KV)/Rate Impulse Voltage(KV)			/	/	4
线径范围(硬线和软线)/Wire Range(rigid and flexible)(AWG/mm²)			20~10/0.5~6		
冷压头不带绝缘套管/with ferrule without plastic sleeve			20~12/0.5~4		
冷压头带绝缘套管/with ferrule, with plastic sleeve			20~12/0.5~4		
间距/Pitch(mm)/线数范围/Poles			6.9/N=2P、3P、5P		
剥线长度/Stripping length(mm)			13~14		
使用温度范围/Operating temperature(°C)			-40~+105(IEC)		
符合RoHS环保要求/Conform to RoHS			Yes		

**DEGSON** MATERIAL: SURFACE/COLOR: MAT NO./REV: /00 MAT STATUS: 小批量

NAME: DGBSC-SG01/6-XXP(1Y-00ZH)

APPD: 龚耀志	2026.05.09	NAME	DRAWING NO.	TYPE	DRAWING STATUS	SCALE	SHEET
CHKD: 朱伟明	2026.05.09	DRAWING NO. 200328683		CUSTOMER DRAWING	已发布	2.5:1	1/1
DRFT: 朱伟明	2026.05.09	DATE	DRFT	DATE	DRFT	DATE	DRFT

REV	ECN	DESCRIPTION	DRFT	DATE
01			朱伟明	2026.05.09

Transfer or duplication of this document, as well as the utilization or communication of its contents are prohibited unless explicit authorization is granted. Violations will be liable for compensation. All rights reserved for patent. 复制或再行传播此文件, 以及利用或传播其内容, 均须经本公司明确书面授权。未经许可擅自复制或传播, 将依法追究法律责任。本公司保留所有权利。