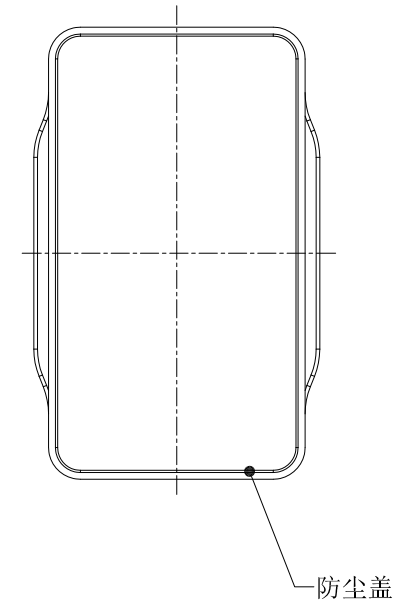
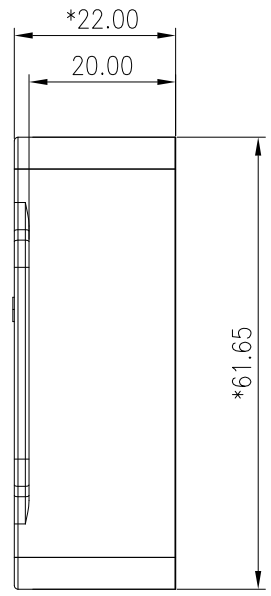
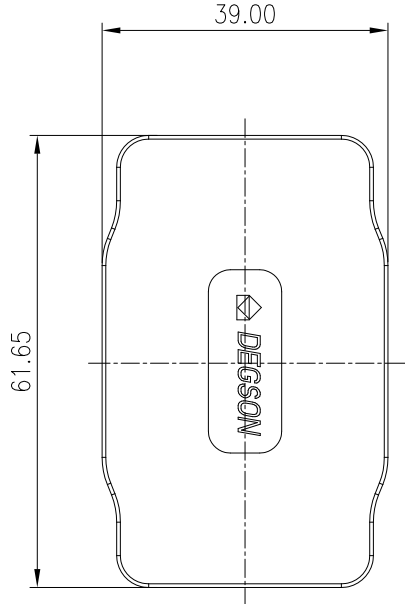


Transfer or duplication of this document as well as the utilization or communication of its contents are prohibited unless explicit authorization is granted. Violations will be liable for compensation. All rights reserved for patent, utility, model or designs registrations. 除非给予明确授权，否则禁止转让、复制、利用、交还本文件的内容。侵犯者将承担赔偿责任。本公司保留就涉及发明、实用新型和外观设计的所有权利。

尺寸公差(mm)					电子线长度尺寸公差(mm)					0.05/10 ±T
0 ~ 30	>30 ~ 60	>60 ~ 100	>100 ~ 150	>150	0 ~ 50	50 ~ 150	150 ~ 300	300 ~ 1000	>1000	
±0.20	±0.30	±0.50	±0.70	±1.00	±5	±10	±15	±25	±35	
使用温度范围/Operating temperature(°C)									-40~+105°C	
符合RoHS环保要求/Conform to RoHS									Yes	



MATERIAL: /		SURFACE: /	
MAT.NO.: 20140000057		宁波高松电子有限公司 NINGBO DEGSON ELECTRICAL CO., LTD	
STATUS: /			
APPD:		Description:	
CHKD:		DG043-PV-FP-CAP	
DRFT: YU JH 2022.01.06		DRAWING NO.: /	
REV		REV	
ECN		00	
DESCRIPTION		TYPE: PRODUCT DRAWING	
DRFT		SCALE: 1:1	
DATE		SHEET 1/1	

REV	ECN	DESCRIPTION	DRFT	DATE