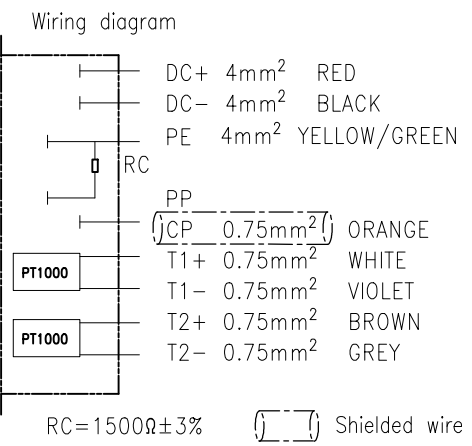
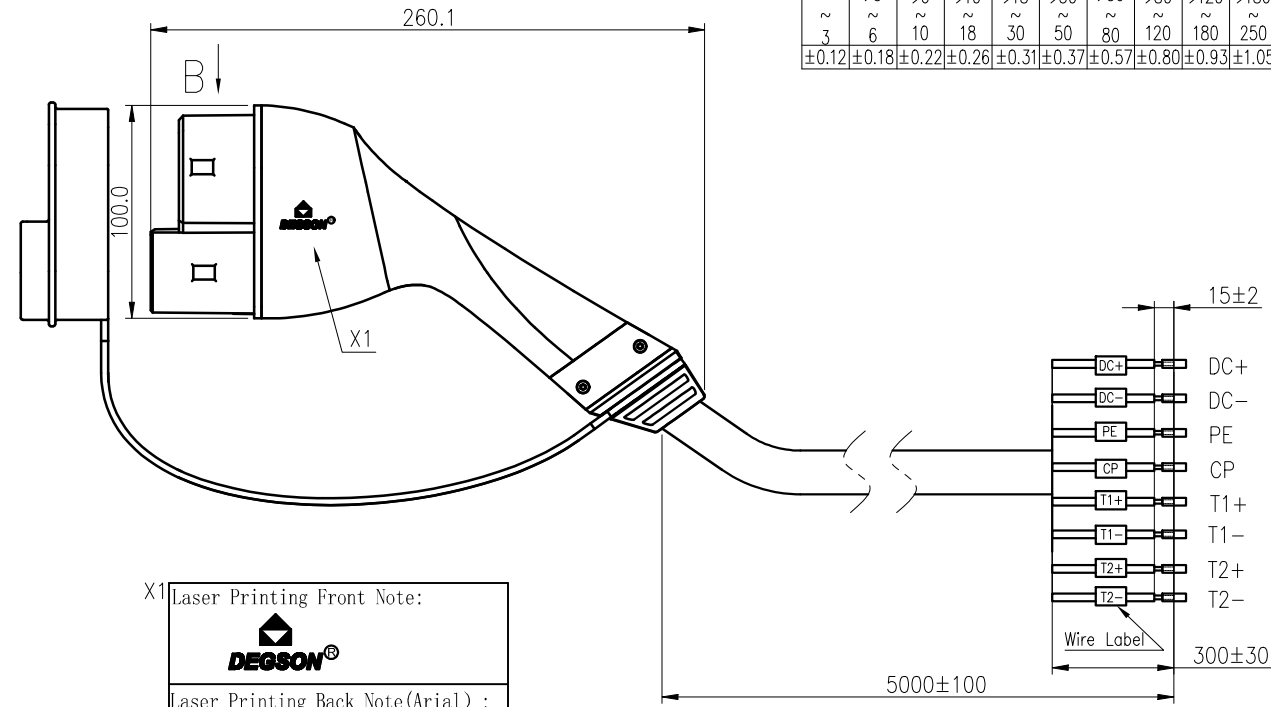
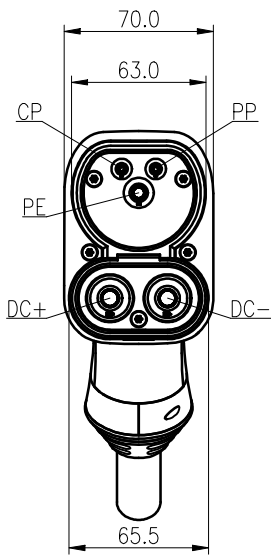


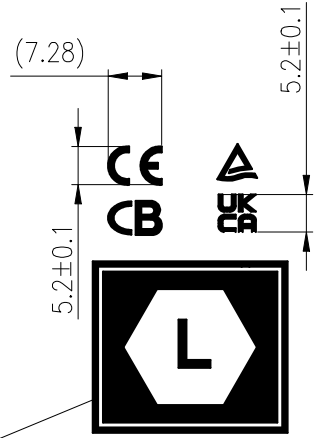
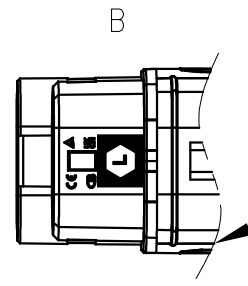
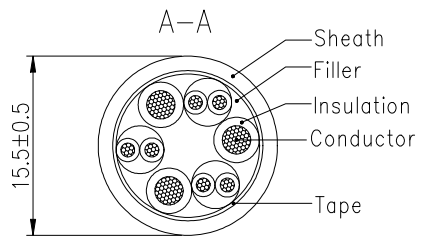
未注公差/General tolerances(mm)											0.1/10		
0	>3	>6	>10	>18	>30	>50	>80	>120	>180	>250		>315	>400
~3	~6	~10	~18	~30	~50	~80	~120	~180	~250	~315	~400	~500	~2.50
±0.12	±0.18	±0.22	±0.26	±0.31	±0.37	±0.57	±0.80	±0.93	±1.05	±1.15	±1.60	±2.20	±2.50



X1 Laser Printing Front Note:

Laser Printing Back Note(Arial) :

MEDC-T-020A-V21-03-5.0M-10AH
 20A 1000V DC
 IEC 62196-3:2022
 IP67(Housing)|IP55(Mated)
 20xxxxxx-xxxx



额定电压/Rated voltage/Current	1000V DC;20A
绝缘电阻/Insulation resistance	>500MΩ,1000V DC 1min
耐压/Withstanding voltage	DC+, DC- and PE, 3500V AC 1min
	DC+ and DC- 3500V AC 1min
	PP and CP 1500V AC 1min
防护等级/Ingress protection	IP67(Housing) IP55(Mated)
插拔寿命/Insertion/Pullout times	10,000 Times
插拔力/Insertion/Pullout force	<100N
使用温度范围/Operating temperature(°C)	-40°C~+50°C
线材规格/Cable specification	2*4mm ² +4mm ² +3*2*0.75mm ² Black
标准/Reference standard	IEC 62196-3:2022
符合RoHS环保要求/Conform to RoHS	Yes

		MATERIAL:	SURFACE/COLOR:		
APPD: Jin K 2025.06.24		MAT NO./REV:	D0-1		
CHKD: Rong QX 2025.06.24		MAT STATUS:			
DRFT: Hu MY 2025.06.24		NAME: MEDC-T-020A-V21-03-5.0M-10A(H)			
DRAWING NO.		TYPE	DRAWING STATUS	SCALE	SHEET
A4		CUSTOMER DRAWING		1:3	1/1

REV	ECN	DESCRIPTION	DRFT	DATE

Transfer or duplication of this document, as well as the utilization or communication of its contents are prohibited unless explicit authorization is granted. Violations will be liable for compensation. All rights reserved for patent, utility model or designs registrations. 除非经书面同意，否则禁止以任何形式复制或传播本文件内容。未经许可，不得复制或传播本文件内容。本公司保留所有权利。