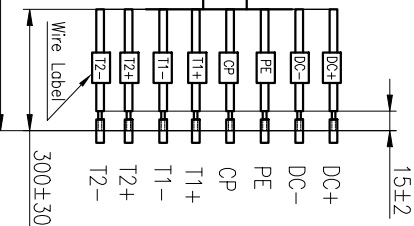


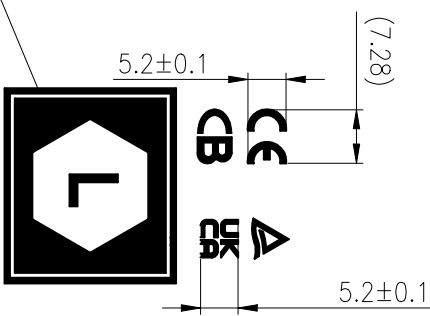
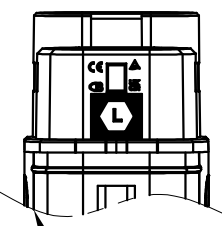
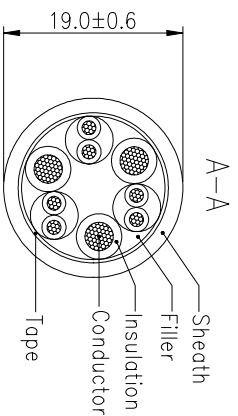
X1 Laser Printing Front Note:
DEGSON
 Laser Printing Back Note (Arial) :
 MEDC-T-065A-V21-03-5.0M-10AH
 65A 1000V DC
 IEC 62196-3:2022
 IP67(Housing)IP55(Mated)
 20xxxxxx-xxxx



Wiring diagram

DC+	10mm ²	RED
DC-	10mm ²	BLACK
PE	10mm ²	YELLOW/GREEN
PP	0.75mm ²	ORANGE
CP	0.75mm ²	WHITE
T1+	0.75mm ²	VIOLET
T1-	0.75mm ²	BROWN
T2+	0.75mm ²	BROWN
T2-	0.75mm ²	GREY

RC=1500Ω±3% Shielded wire



(The Straighten Measurement)
 5000±100

0	>3	>6	>10	>18	>30	>50	>80	>120	>180	>250	>315	>400	0.1/10
~	~	~	~	~	~	~	~	~	~	~	~	~	~
3	6	10	18	30	50	80	120	180	250	315	400	500	1/2
±0.12 ±0.18 ±0.22 ±0.26 ±0.31 ±0.37 ±0.57 ±0.80 ±0.93 ±1.05 ±1.15 ±1.60 ±2.20 ±2.50													

REV	ECN	DESCRIPTION	DRAFT	DATE	APPD: Jin K	2025.06.24	NAME	MEDC-T-065A-V21-03-5.0M-10A(H)	TYPE	CUSTOMER DRAWING	DRAWING STATUS	SCALE	SHEET
					CHKD: Rong QX	2025.06.24						1:3	1/1
					DRAFT: Hu MY	2025.06.24							

	MATERIAL:	DO-1	MAT STATUS:
	SURFACE/COLOR:		
	符合RoHS环境要求/Conform to RoHS	Yes	IEC 62196-3:2022

额定电压/Rated voltage	1000V DC/65A
绝缘电阻/Insulation resistance	>500MΩ, 1000V DC 1min
耐压/Withstanding voltage	DC+ and DC- 3500V AC 1min
防护等级/Ingress protection	IP67(Housing)IP55(Mated)
插拔寿命/Insertion/Pullout times	10,000 Times
插拔力/Insertion/Pullout force	<100N
使用温度范围/Operating temperature(°C)	-40°C~+50°C
线材规格/Cable specification	2*10mm ² +10mm ² +3*2*0.75mm ²
颜色/Reference standard	Black