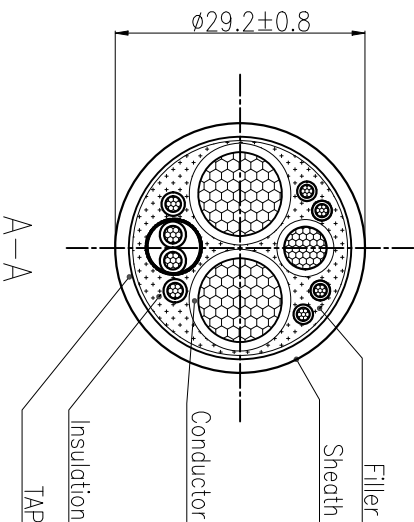
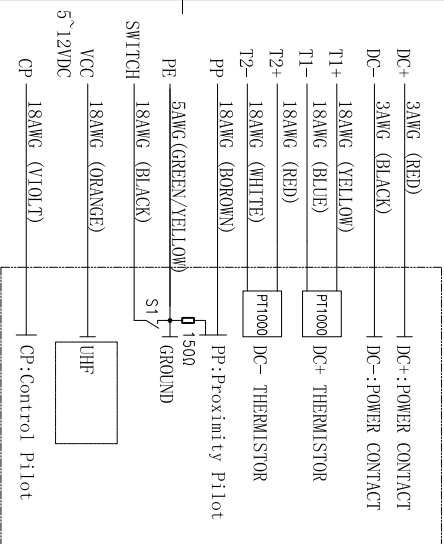


VIEW B

Wiring diagram



REF.174

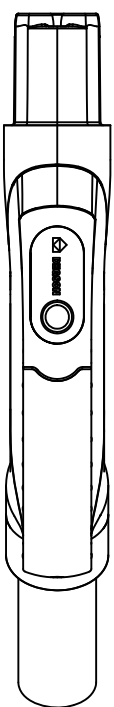
REF.56

REF.272

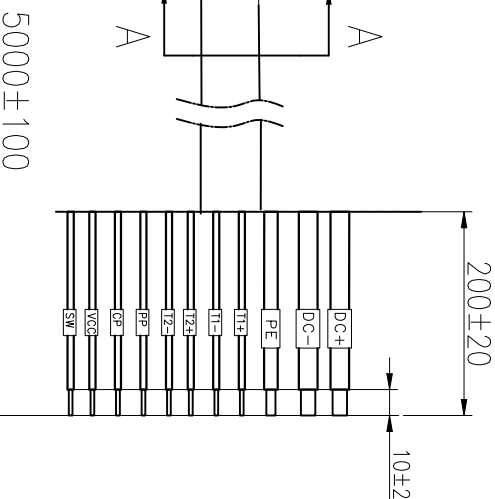
VIEW C

Laser Printing Note:

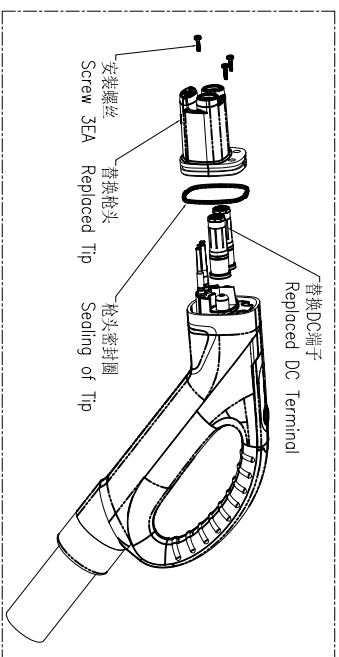
UL No.: E505319  
 MTD-C-S-150A-V5-03-5.0M-10A(H)  
 150A 1000V DC  
 TYPE 3R  
 OP:-30°C to +50°C  
 20xxxxx-xxxx  
**PAULUS**



(Straightening measurement)



Total Length	Tolerance
0 ~ 1000mm	±50
1001 ~ 5000mm	±100
>5000mm	±200



APPD: CHKD:	Li WJ	25.07.04	Li WJ	25.07.04
NAME	MTDC-S-150A-V5-03-5.0M-10A(H)			
DRAWING NO.	CUSTOMER DRAWING			
DRAWING STATUS	SCALE			
SHEET	1/1			
MATERIAL:	SURFACE/COLOR:			
MAT NO./REV:	MAT STATUS:			
额定电压/Rated Voltage/Current	1000V DC/150A			
绝缘电阻/Insulation resistance	>100MΩ/500V DC 1min			
耐压/Withstanding voltage	DC+/DC- and PE, 4200V DC 1min			
防护等级/Ingress protection	DC+ and DC- (ENCLOSED)			
使用寿命/Insertion/Pullout times	12000			
插拔力/Insertion/Pullout force	<90N			
使用温度范围/Operating temperature(°C)	-30°C to +50°C			
线材规格/Cable specification	2*3AWG+5AWG+P2*18AWG+6*18AWG			
标准/Reference standard	MCS,UJ2251			
符合RoHS环保要求/Conform to RoHS	Yes			
UHF发射频率/UHF Transmitter Frequency	315MHz			

Initial Release	Li WJ	25.07.04	Li WJ	25.07.04
DESCRIPTION	CUSTOMER DRAWING			
DRAWING STATUS	SCALE			
SHEET	1/1			