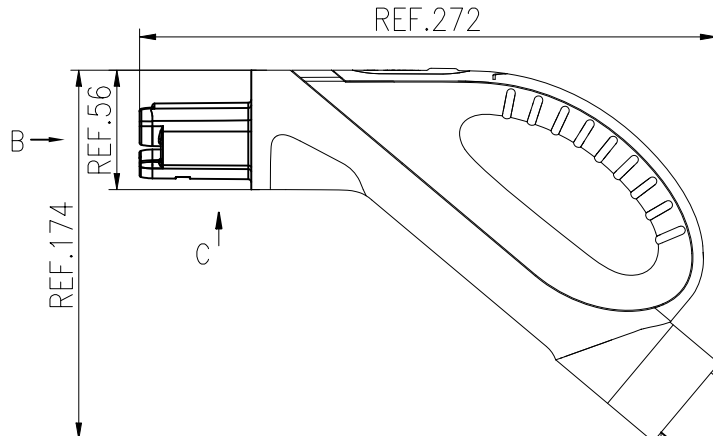
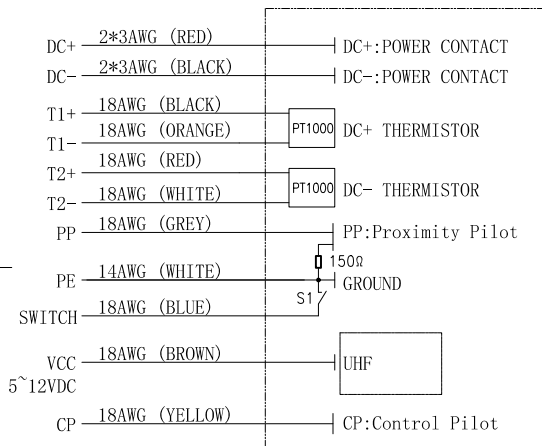


VIEW B

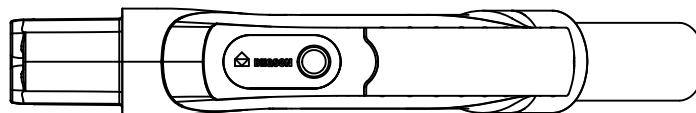
Wiring diagram



VIEW C

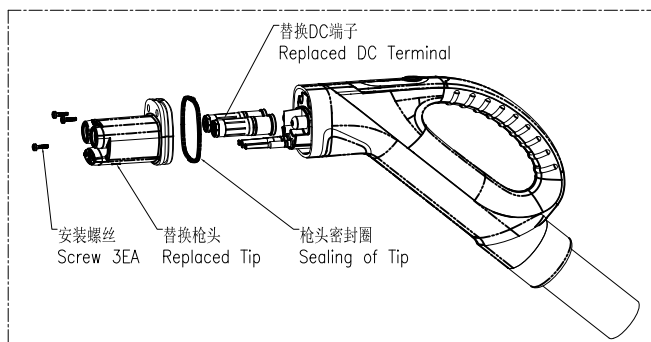
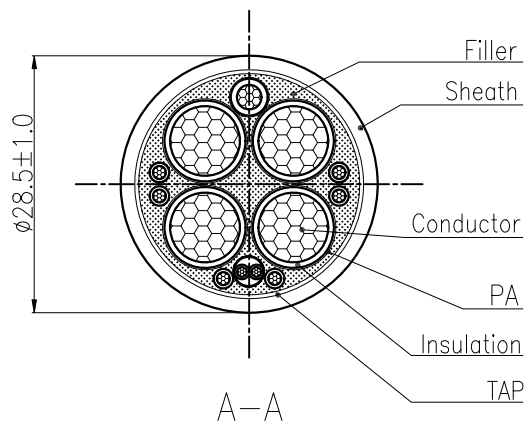
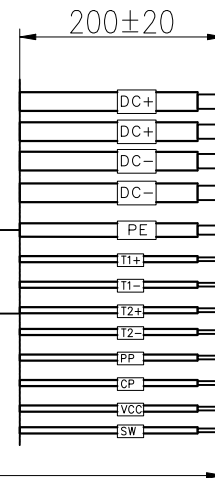
Laser Printing Note:

UL No.: E505319
 MTDC-S-250A-V5-03-5.0M-10A(H)
 250A 1000V DC
 TYPE 3R
 OP:-30°C to +50°C
 20xxxxxx-xxxx



(Straightening measurement)

| Total Length | Tolerance |
|--------------|-----------|
| 0~ 1000mm | ±50 |
| 1001~ 5000mm | ±100 |
| >5000mm | ±200 |



| | |
|-----------------------------------|---|
| 额定电压电流/Rated Voltage/Current | 1000V DC/250A |
| 绝缘电阻/Insulation resistance | >100MΩ,500V DC 1min |
| 耐压/Withstanding voltage | DC+/DC- and PE ,4200V DC 1min DC+ and DC- ,4200V DC 1min |
| 防护等级/Ingress protection | TYPE 3R / IP67(ENCLOSED) |
| 插拔寿命/Insertion/Pullout times | 12000 |
| 插拔力/Insertion/Pullout force | <90N |
| 使用温度范围/Operating temperature(°C) | -30°C to +50°C |
| 线材规格/Cable specification | 4*3AWG+14AWG+P2*18AWG+6*18AWG |
| 标准/Reference standard | NACS,UL2251 |
| 符合RoHS环保要求/Conform to RoHS | Yes |
| UHF发射频率/UHF Transmitter Frequency | 315MHz |

| DEGSON | | MATERIAL: | SURFACE/COLOR: |
|---------------|----------|------------------------------------|-----------------------|
| APPD: | | MAT NO/REV: DO-1 | MAT STATUS: |
| CHKD: | | NAME MTDC-S-250A-V5-03-5.0M-10A(H) | |
| DRFT: Zhang Q | 25.07.04 | DRAWING NO. | TYPE CUSTOMER DRAWING |
| | | DRAWING STATUS | SCALE |
| | | | SHEET 1/1 |

| DO-I | / | Initial Release | Zhang Q | 25.07.04 |
|------|-----|-----------------|---------|----------|
| REV | ECN | DESCRIPTION | DRFT | DATE |

Transfer or duplication of this document as well as the utilization or communication of its contents are prohibited unless explicit authorization is granted. Violators will be liable for compensation. All rights reserved for patent, utility model or design registrations. 未经授权，不得复制或传播本文件内容。未经许可，不得复制或传播本文件内容。侵权者将承担法律责任。 发明、实用新型、外观设计专利均受法律保护。 发明、实用新型、外观设计专利均受法律保护。