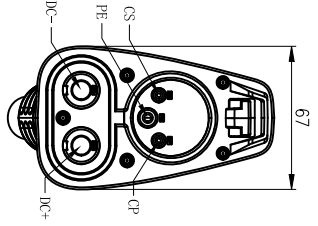
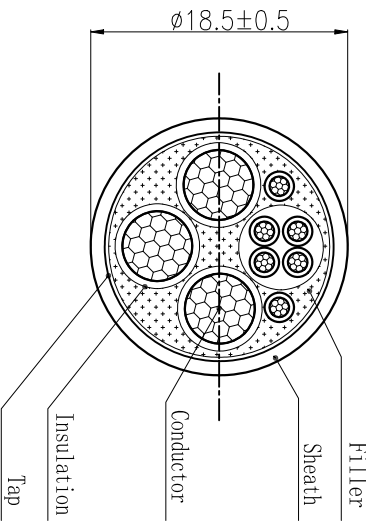
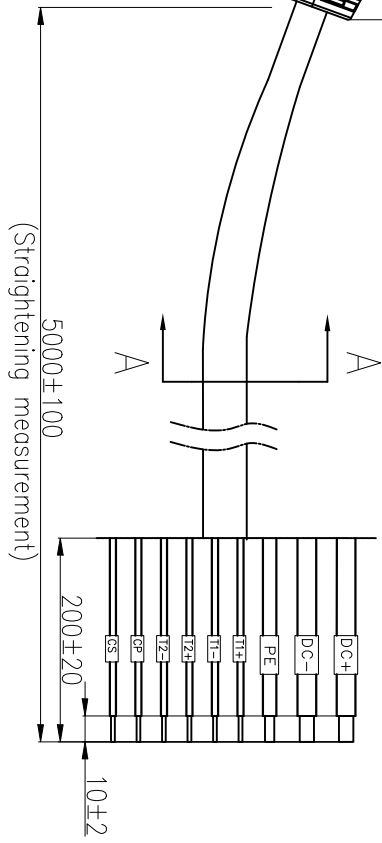
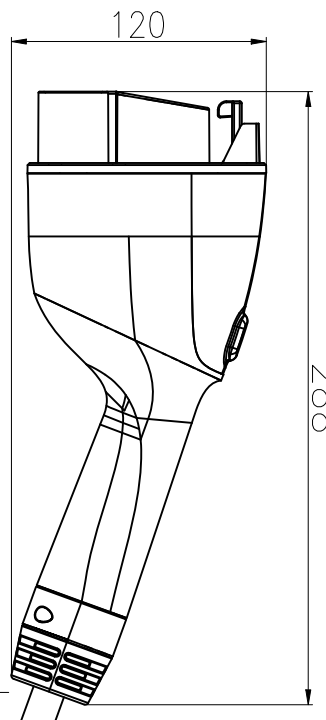
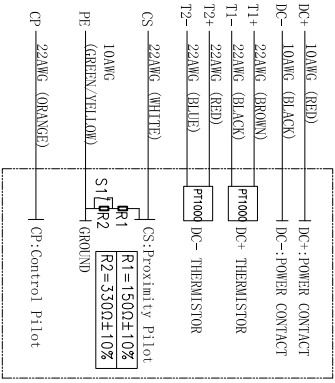


Total Length	Tolerance
0 ~ 1000mm	±50
1001 ~ 5000mm	±100
>5000mm	±200



Wiring diagram



A-A

Laser Printing Note:

MADC-S-040A-V-03-5.0M-10A(H)
 40A 1000V DC
 TYPE 3S
 OP-40-+50°C
 20xxxxx-xxx

CAUTION-Do not use this product if any damage
 ATTENTION - n'utilisez pas ce produit s'il y a
 des dommages

OR 内容:
 (尺寸 10*10mm)
 YYMMDDSSSS
 DEGSON
 流水号: 0000-9999
 年, 01-12
 月, 01-31
 日, 01-25 代表 2025年

额定电压/电流/Rated voltage/Current	1000V DC/40A
绝缘电阻/Insulation resistance	>100MΩ, 500V DC 1min
耐压/Withstanding voltage	DC+/DC- and PE, 4200V DC 1min
防护等级/Ingress protection	DC+ and DC-, 4200V DC 1min
插拔寿命/Insertion/Pullout times	TYPE 3S / IP67 (ENCLOSED) 10,000 Times
插拔力/Insertion/Pullout force	<75N
使用温度范围/Operating temperature (°C)	-40 ~ +50°C
线材规格/Cable specification	3*10AWG+6*22AWG Black
标准/Reference standard	SAE-J1772, IEC 62196-3, UL2251
符合RoHS环保要求/Conform to RoHS	Yes

	MATERIAL:	SURFACE/COLOR:
	MAT NO./REV: DO-1	MAT STATUS:

APPD:	NAME	MADC-S-040A-V-03-5.0M-10A(H)
CHKD:	DRAWING NO.	TYPE CUSTOMER DRAWING
DRAFT:	DRAWING STATUS	SCALE
		SHEET 1/1

DO-1	ECN	DESCRIPTION	DRAFT	DATE
REV				

D

C

B

A