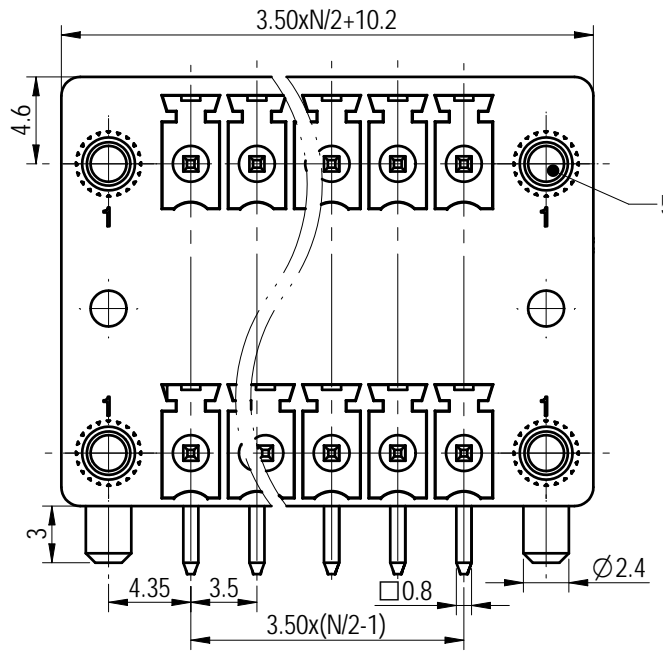
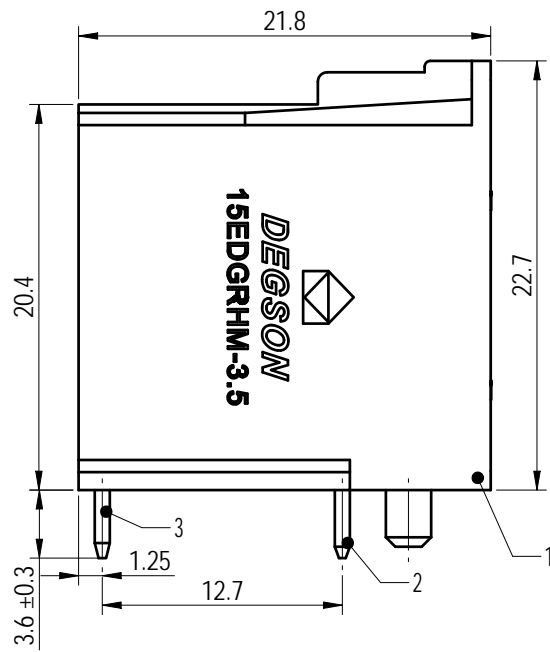
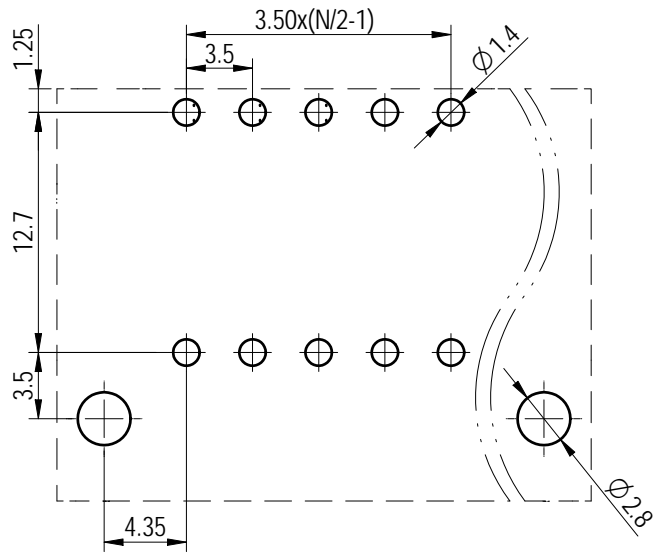
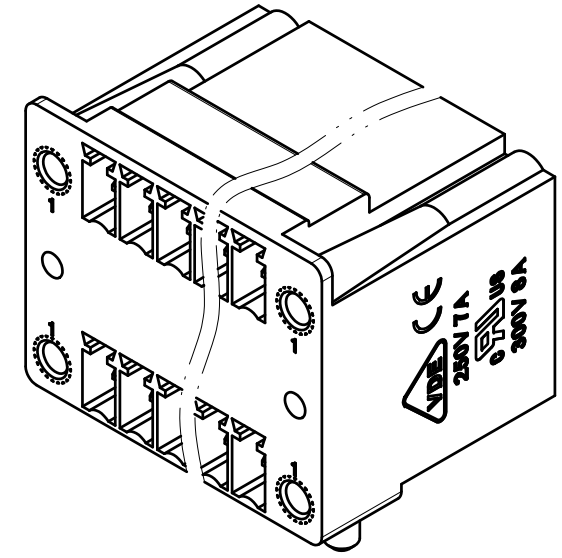


PCB LAYOUT



公差/General tolerances (mm)														
0	>3	>6	>10	>18	>30	>50	>80	>120	>180	>250	>315	>400	>500	0.1/10
~3	~6	~10	~18	~30	~50	~80	~120	~180	~250	~315	~400	~500	>500	±2'
±0.12	±0.18	±0.22	±0.26	±0.31	±0.37	±0.57	±0.80	±0.93	±1.05	±1.15	±1.60	±2.20	±2.50	



Note:
The A&Z (H) in the name means: A(H) and Z(H).

ITEM	NAME OF PART	MATERIAL	NOTES
5	Nut	Copper Alloy	M2.5
4	Cover	PA66	UL94V-0
3	Pin 2	Copper Alloy	Sn Plated
2	Pin 1	Copper Alloy	Sn Plated
1	Housing	PA66	UL94V-0

UL 标准/UL Standard:	B	C	D
额定电压/电流/Rated Voltage(V)/Current(A)	300/8	/	/
IEC 标准/IEC Standard:			
过压类别/Overvoltage Category/污染等级/Pollution Degree	III/3	III/2	II/2
额定电压/电流/Rated Voltage(V)/Current(A)	/	/	250/7
额定脉冲电压(KV)/Rate Impulse Voltage(KV)	/	/	2.5
间距/Pitch(mm)/线数范围/Poles	3.5/N=04~48P		
使用温度范围/Operating temperature(°C)	-40~+105		
符合RoHS环保要求/Conform to RoHS	Yes		
标准颜色编号/Standard color number: PANTONE / RAL	/		

DEGSON

APPD: 兰春华 2022.11.11
CHKD: 龚耀志 2022.11.10
DRFT: 方哲盛 2022.11.10

MATERIAL: SURFACE/COLOR:
MAT NO./REV: - / 00 MAT STATUS: 批量

NAME: 15EDGRHM-3.5-XXP-1Y-00A&Z(H)

REV	ECN	DESCRIPTION	DRFT	DATE	比例尺
00			方哲盛	2022.11.10	A4

DRAWING NO.	TYPE	DRAWING STATUS	SCALE	SHEET
200019491	CUSTOMER DRAWING	已发布	2.5:1	1/1

Transfer or duplication of this document as well as the utilization or communication of its content are prohibited unless authorized in writing by the copyright holder. All rights reserved for patent, utility model or design registrations. 除专利、实用新型、外观设计注册外，其他内容均受版权保护。未经许可，不得复制或传播。本公司保留对涉及发明、实用新型及外观设计的所有权利。