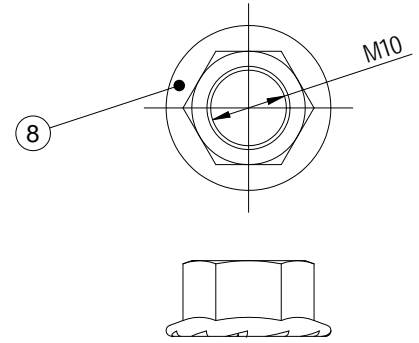
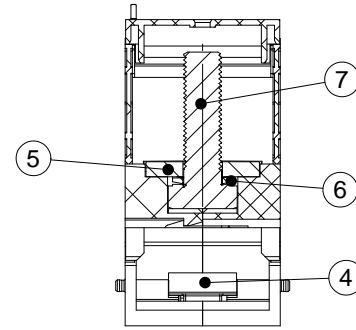
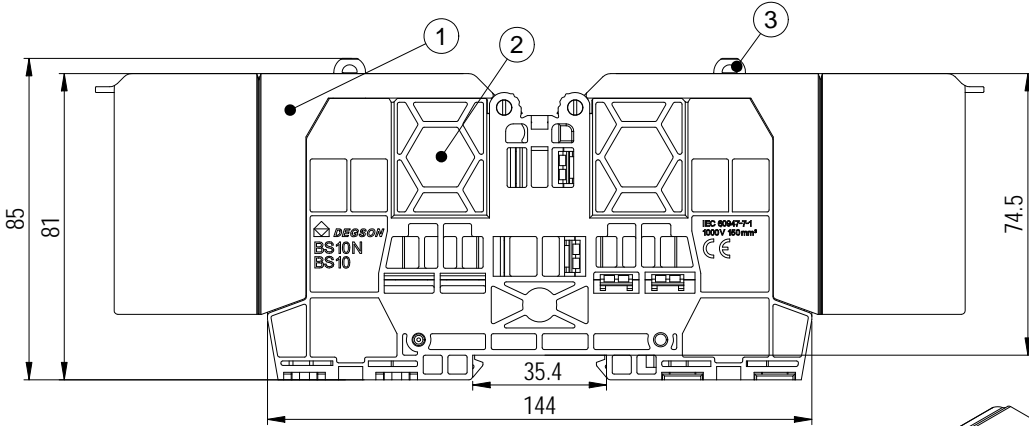
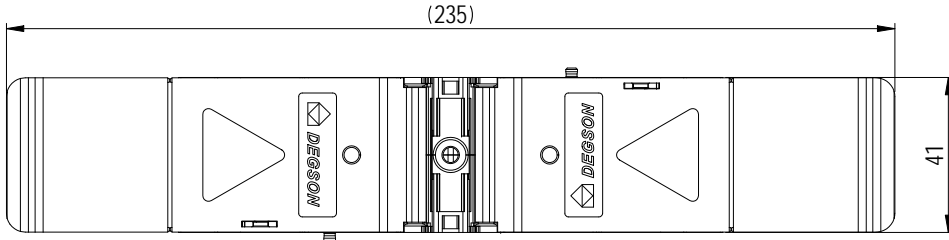
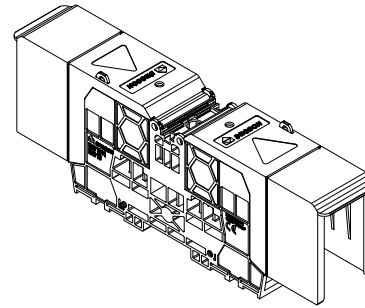
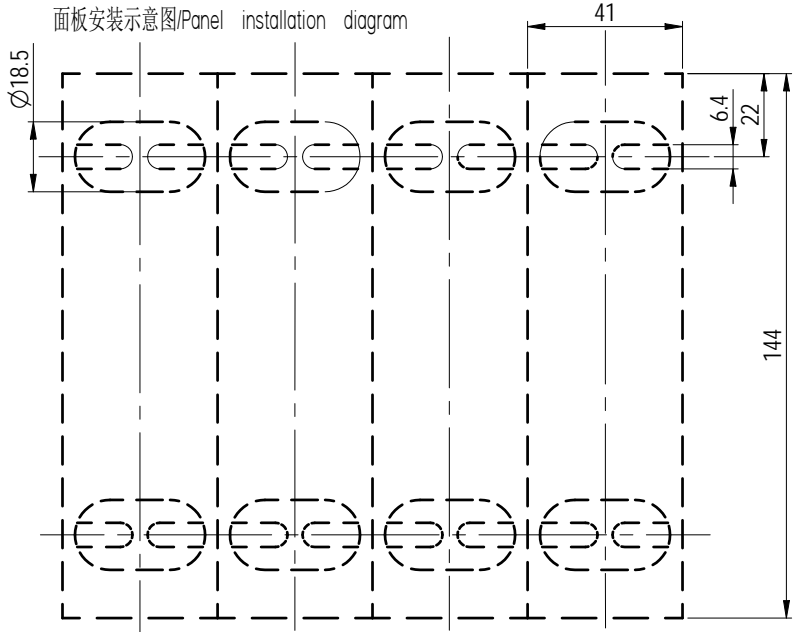


未注公差/General tolerances (mm)											0.1/10 ±2'		
0	>3	>6	>10	>18	>30	>50	>80	>120	>180	>250			
~3	~6	~10	~18	~30	~50	~80	~120	~180	~250	~315	~400	~500	>500
±0.12	±0.18	±0.22	±0.26	±0.31	±0.37	±0.57	±0.80	±0.93	±1.05	±1.15	±1.60	±2.20	±2.50



ITEM	NAME OF PART	MATERIAL	NOTES
8	Nut	Steel	M10/Zn Plated
7	Bolt	Steel	M10/Zn Plated
6	Lock Washer	Steel	M10/Zn Plated
5	Current carrier	Copper	Sn Plated
4	Mounting Bar	PA66	UL94V-0
3	Fixings	PA66	UL94V-0
2	Housing2	PA66	UL94V-0
1	Housing1	PA66	UL94V-0

面板安装示意图/Panel installation diagram



01 BS10-YY

YY(Color): GY(Grey), RD(Red), BU(Blue)
OG(Orange), FE(Yellow and Black)

UL 标准/UL Standard:	B	C	D
额定电压/电流/Rated Voltage(V)/Current(A)	600/310	/	/
IEC 标准/IEC Standard:			
过压类别/Overvoltage Category/污染等级/Pollution Degree	III/3	III/2	II/2
额定电压/电流/Rated Voltage(V)/Current(A)	1000/309	/	/
额定脉冲电压(KV)/Rate Impulse Voltage(KV)	8	/	/
螺栓扭矩/Torque Tightening(N·m/Lb.in)	M10, 10-20/113-226		
固定螺钉规格/Fixing Screw Specifications	M6		
线径范围(硬线和软线)/Wire Range(rigid and flexible)(AWG/mm²)	10-350 / 6-150		
间距/Pitch(mm)/线数范围/Poles	41/N=01P		
剥线长度/Stripping length(mm)	Depends on Cold pressing		
使用温度范围/Operating temperature(°C)	-40~+105		
符合RoHS环保要求/Conform to RoHS	Yes		



MATERIAL:	SURFACE/COLOR:
MAT NO./REV:	MAT STATUS: 批量

APPD: Li GL	2023.02.21	NAME BS10-YY
CHKD: Ma EK	2023.02.21	
DRFT: Zheng QG	2023.02.21	

REV	ECN	DESCRIPTION	DRFT	DATE	DRAWING NO.	TYPE	DRAWING STATUS	SCALE	SHEET
01		Change naming convention	Zheng QG	2023.02.21	200098712	CUSTOMER DRAWING	work	2:1	1/1

Transfer or duplication of this document as well as the utilization or communication of its contents are prohibited unless authorized in writing by DEGSON. All rights reserved for patent. 除专利号明确标注外，其他内容均受版权保护。未经授权，禁止复制或传播。本公司保留对涉及发明、实用新型和外观设计的所有权利。