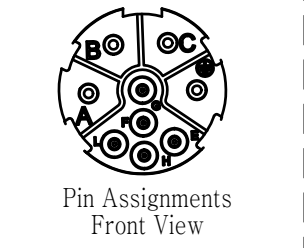
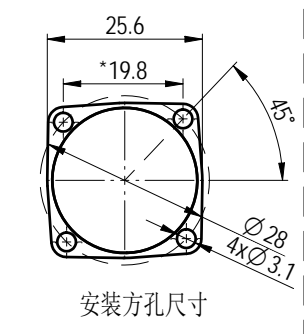
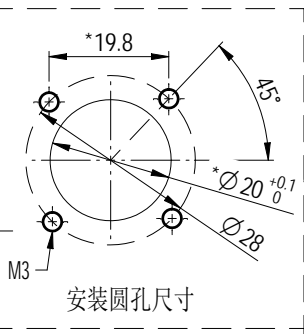
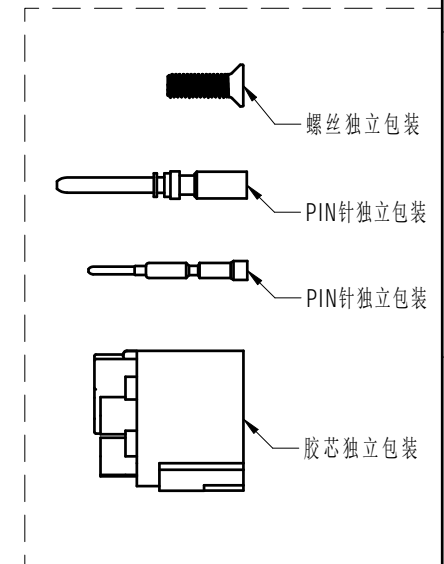
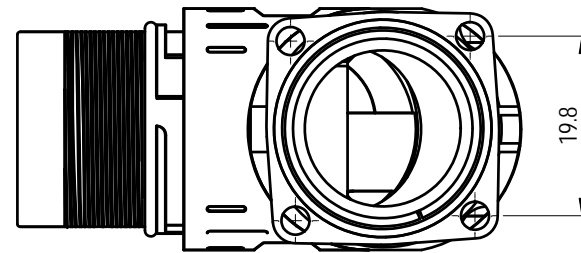
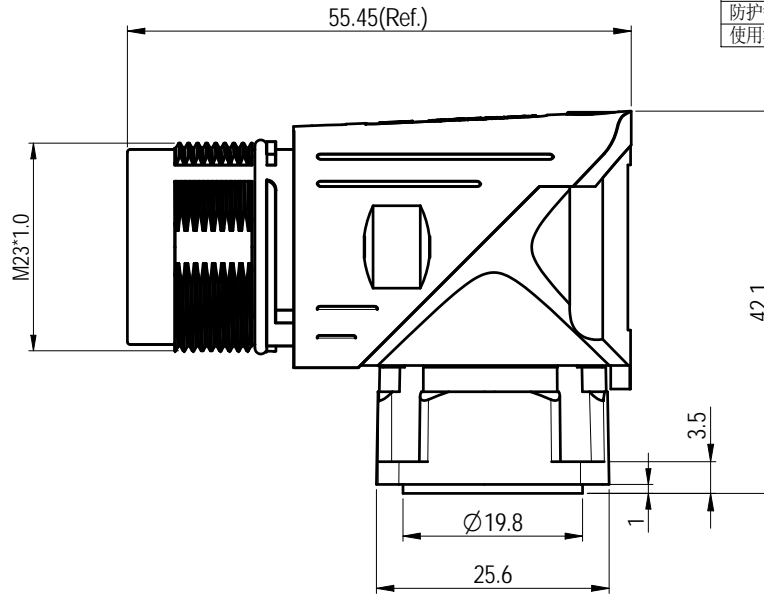


尺寸公差(mm)					0.05/10 ±1'
0 ~ 30	>30 ~ 60	>60 ~ 100	>100 ~ 150	>150	
±0.20	±0.30	±0.50	±0.70	±1.00	

技术要求/Technical requirements:	
额定电压电流/Rated Voltage/Current	630V AC/30A (Power)
额定电压电流/Rated Voltage/Current	250V AC/7A (Signal)
绝缘电阻/Insulate Resistance	≥100MΩ
耐压/Withstanding Voltage	3500V AC 1min (Power)
耐压/Withstanding Voltage	2500V AC 1min (Signal)
线径范围/Wire range(AWG/mm ²)	0.75~2.5 (Power)
线径范围/Wire range(AWG/mm ²)	0.14~1.0 (Signal)
防护等级/Ingress Protection	IP67
使用温度范围/Operating temperature(°C)	-20~+125



		MATERIAL:	SURFACE:	
APPD:		MAT. NO./REV: 20050000062-1 / 01	MAT STATUS: 批量	
CHKD:		NAME		
DRFT:		SCSH-M23L-09P-MM-SR7000-00A&Z (H)		
DRAWING NO.	TYPE	DRAWING STATUS	SCALE	SHEET
200366575	CUSTOMER DRAWING	work	1:1	1/1

REV	ECN	DESCRIPTION	DRFT	DATE
00				

Transfer or duplication of this document as well as the utilization or communication of its contents are prohibited unless written authorization is granted. Customers will be liable for compensation. All rights reserved for patent, utility model or designs registrations. 非经书面授权, 严禁禁止转让、复制、利用、交加本文件的内容, 侵犯者将承担赔偿责任。本公司保留对涉及发明、实用新型和外观设计的所有权利。