

品名/Name	按钮颜色/The button color	塑件&盖板颜色/The housing&cover color
DGBSC-SG01/4-XXP (1Y-00AH) DGBSC-SG01/4-XXP (1Y-00ZH)	绿色/Green	透明/Transparent
DGBSC-SG01/4-XXP (1Y-01AH) DGBSC-SG01/4-XXP (1Y-01ZH)	白色/White	透明/Transparent
DGBSC-SG01/4-XXP (1Y-10AH) DGBSC-SG01/4-XXP (1Y-10ZH)	绿色/Green	透明/Transparent
DGBSC-SG01/4-XXP (1Y-11AH) DGBSC-SG01/4-XXP (1Y-11ZH)	棕色/Brown	透明/Transparent
DGBSC-SG01/4-XXP (1Y-12AH) DGBSC-SG01/4-XXP (1Y-12ZH)	蓝色/Blue	透明/Transparent
DGBSC-SG01/4-XXP (1Y-13AH) DGBSC-SG01/4-XXP (1Y-13ZH)	黑色/Black	透明/Transparent
DGBSC-SG01/4-XXP (17-14AH) DGBSC-SG01/4-XXP (17-14ZH)	绿色/Green	透明黄/Yellow Transparent
DGBSC-SG01/4-XXP (1Y-15AH) DGBSC-SG01/4-XXP (1Y-15ZH)	红色/Red	透明/Transparent
DGBSC-SG01/4-XXP (17-16AH) DGBSC-SG01/4-XXP (17-16ZH)	绿色/Green	透明/Transparent
DGBSC-SG01/4-XXP (1Y-17AH) DGBSC-SG01/4-XXP (1Y-17ZH)	绿色/Green	透明/Transparent
DGBSC-SG01/4-XXP (17-24AH) DGBSC-SG01/4-XXP (17-24ZH)	霓虹黄绿/Yellow and Green	透明/Transparent
DGBSC-SG01/4-XXP (17-25AH) DGBSC-SG01/4-XXP (17-25ZH)	黄色/Yellow	透明/Transparent
DGBSC-SG01/4-XXP (17-26AH) DGBSC-SG01/4-XXP (17-26ZH)	绿色/Green (Pantone 5473C)	透明/Transparent
DGBSC-SG01/4-XXP (17-28AH) DGBSC-SG01/4-XXP (17-28ZH)	橙色/Orange (Pantone 1505U)	透明/Transparent
DGBSC-SG01/4-XXP (17-63AH) DGBSC-SG01/4-XXP (17-63ZH)	红色/Red (Pantone 485C)	透明/Transparent
DGBSC-SG01/4-XXP (1Y-304ZH) DGBSC-SG01/4-XXP (1Y-305ZH)	蓝色/Blue	透明/Transparent
DGBSC-SG01/4-XXP (1Y-306ZH) DGBSC-SG01/4-XXP (1Y-307ZH)	棕色/Brown	透明/Transparent
	黑色/Black	透明/Transparent
	黄色/Yellow	透明/Transparent

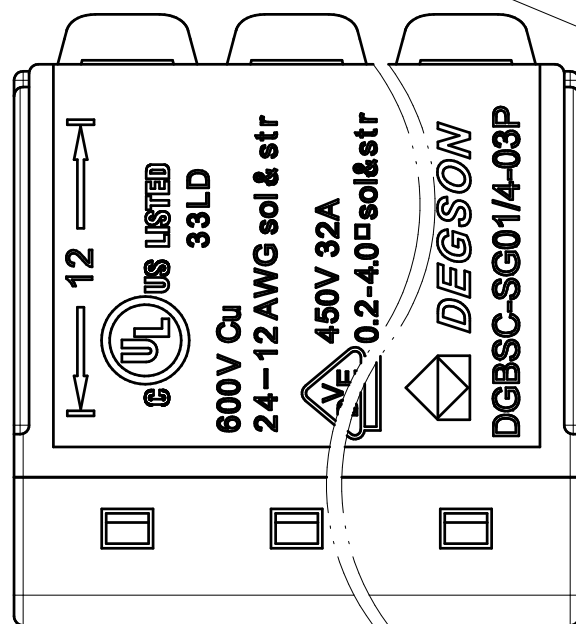
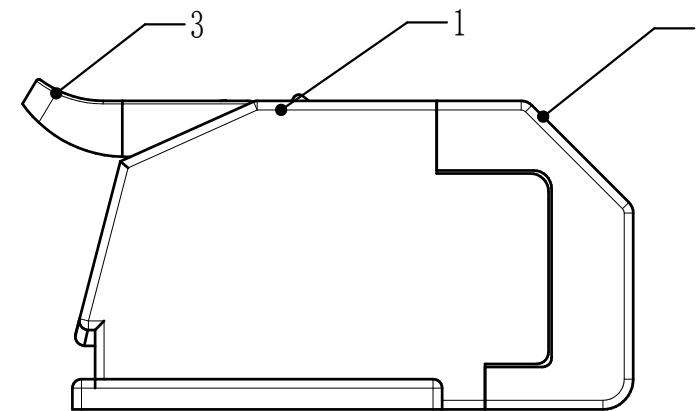
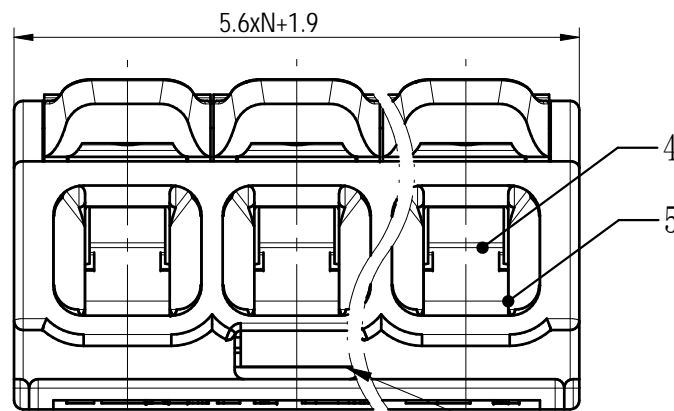
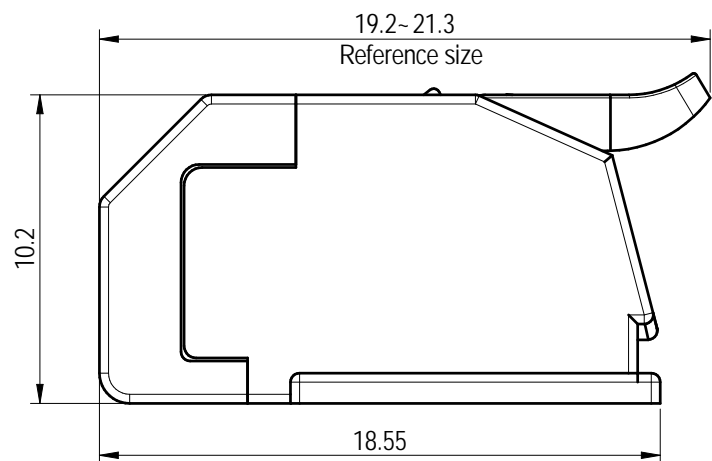
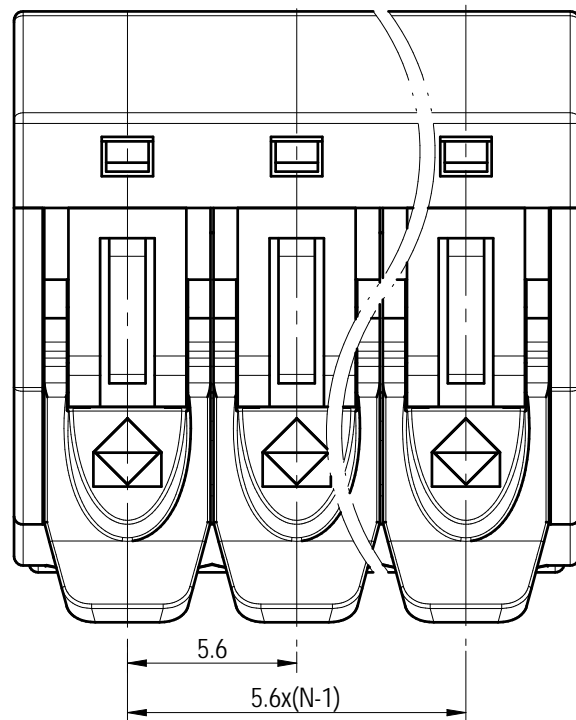
● Differentiation from-00A: Different packing methods. 10A/Z for boxed packaging

● Differentiation from-00A: Different packing methods. 16A/Z is in bag packing&papercard packing

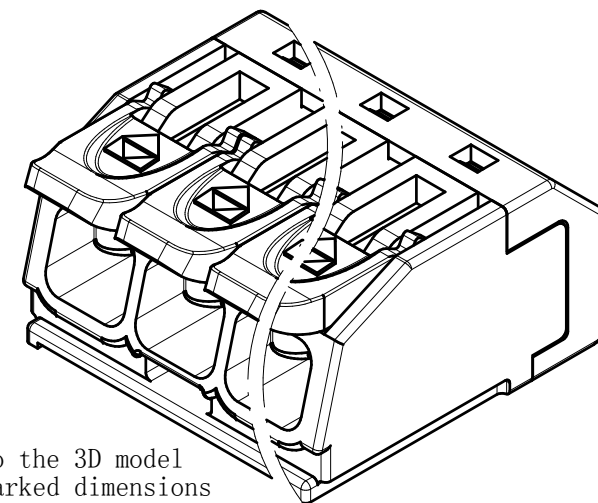
● Differentiation from-00A: Different packing methods. 25A/Z for boxed packaging

● Differentiation from-00A: Different packing methods. 304/305/306 Z is in bag packing&papercard packing

● Differentiation from-00A: Different packing methods. 307Z for aircraft hole bag packaging



The test hole at 02P is on the right



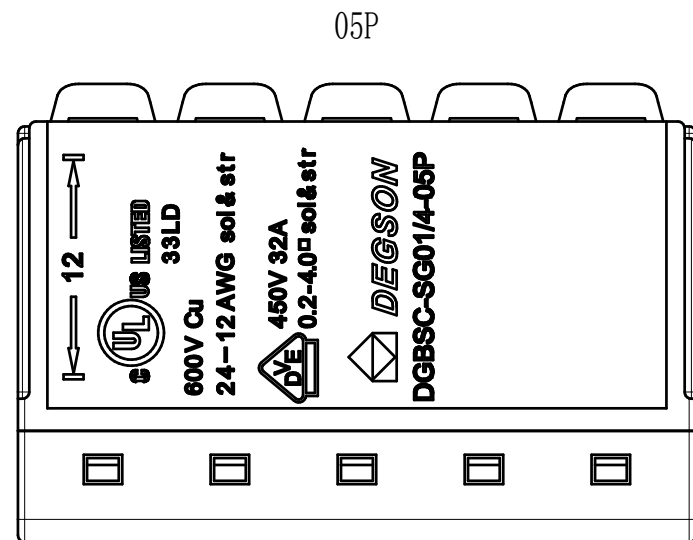
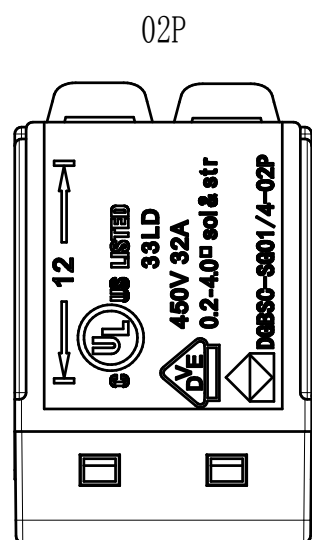
Please refer to the 3D model for those unmarked dimensions

未注公差/General tolerances (mm)														
0	>3	>6	>10	>18	>30	>50	>80	>120	>180	>250	>315	>400	>500	0.1/10
~3	~6	~10	~18	~30	~50	~80	~120	~180	~250	~315	~400	~500	~2.50	±2'
±0.12	±0.18	±0.22	±0.26	±0.31	±0.37	±0.57	±0.80	±0.93	±1.05	±1.15	±1.60	±2.20	±2.50	

UL 标准/UL Standard:			
额定电压/Rated Voltage(V)	600		
IEC 标准/IEC Standard:			
过压类别/Overvoltage Category/污染等级/Pollution Degree	III/3	III/2	II/2
额定电压/电流/Rated Voltage(V)/Current(A)	/	450/32	/
工频耐压/Withstanding voltage(V/1Min)	/	AC2500	/
线径范围(硬线和软线)/Wire Range(rigid and flexible)(AWG)	24-12 / 0.2-4.0		
间距/Pitch(mm)/线数范围/Poles	5.6/N=02P/03P/05P		
剥线长度/Stripping length(mm)	12		
使用温度范围/Operating temperature(°C)	-40~+85 (IEC)		
符合RoHS环保要求/Conform to RoHS	Yes		
Mark DGBSC-SG01/4-02P: 600V Cu 24-12AWG sol&str			

ITEM	NAME OF PART	MATERIAL	NOTES
5	Current carrier	Copper	Sn Plated
4	Spring	Stainless steel	/
3	Button	PA66+GF	UL94V-0
2	Cover	PC	UL94V-2
1	Housing	PC	UL94V-2

Transfer or duplication of this document, as well as the utilization or communication of its contents are prohibited unless explicit authorization is granted. Violations will be liable for compensation. All rights reserved for patent. 本文件及其内容之复制或传播, 以及其内容之利用或传播, 均须经本公司事先书面同意, 否则, 本公司将依法追究其法律责任。 未经授权, 擅自复制或传播, 本公司将依法追究其法律责任。 所有权利保留。



REV	ECN	DESCRIPTION	DRFT	DATE	DRAWING NO.	TYPE	DRAWING STATUS	SCALE	SHEET
05			朱伟明	2026.05.09	200066324	CUSTOMER DRAWING	已发布	1:1	1/4

DEGSON		MATERIAL:	SURFACE/COLOR:
APPD: 龚耀志	2026.05.09	MAT NO./REV: /01	MAT STATUS: 批量
CHKD: 朱伟明	2026.05.09	NAME: DGBSC-SG01/4-XXP (1Y-00ZH)	
DRFT: 朱伟明	2026.05.09	DRAWING NO. 200066324	TYPE: CUSTOMER DRAWING
		DRAWING STATUS: 已发布	SCALE: 1:1
			SHEET: 1/4