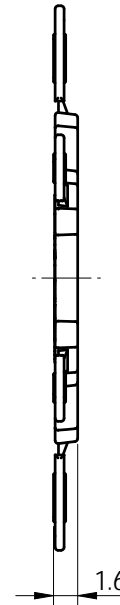
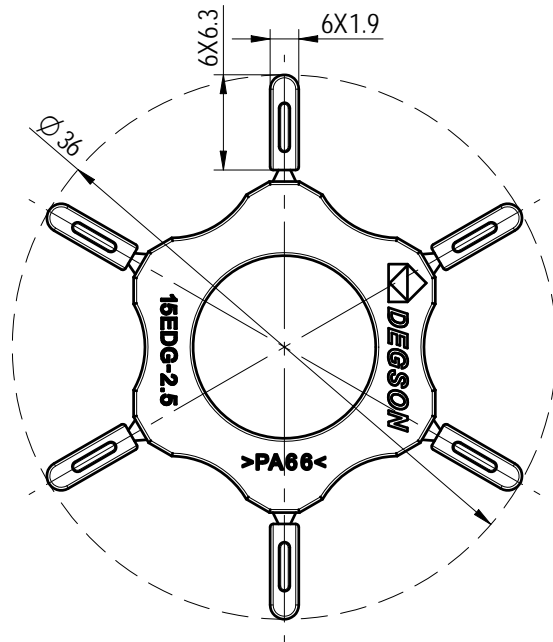
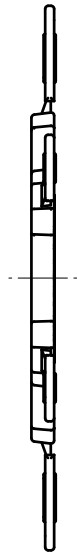
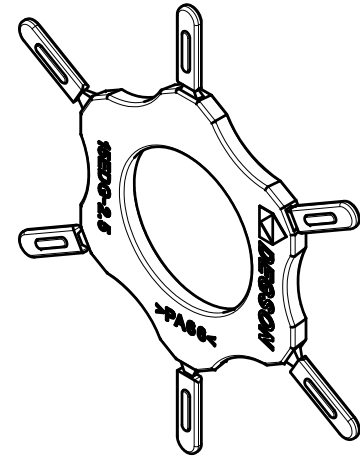


Transfer or duplication of this document as well as the utilization or communication of its contents are prohibited unless authorized in writing. All rights reserved for patent, utility model or design registrations. 除专利权明确标注外，其他标注均受法律保护。未经许可，不得复制或传播。 本公司保留对涉及发明、实用新型及外观设计的所有权利。

未注公差/General tolerances (mm)													0.1/10	
0 ~ 3	>3 ~ 6	>6 ~ 10	>10 ~ 18	>18 ~ 30	>30 ~ 50	>50 ~ 80	>80 ~ 120	>120 ~ 180	>180 ~ 250	>250 ~ 315	>315 ~ 400	>400 ~ 500		>500
±0.12	±0.18	±0.22	±0.26	±0.31	±0.37	±0.57	±0.80	±0.93	±1.05	±1.15	±1.60	±2.20	±2.50	±2'



Note:
The A&Z(H) in the name means: A(H) and Z(H).

ITEM	NAME OF PART	MATERIAL	NOTES
1	Housing	PA66	UL94V-0

使用温度范围/Operating temperature(°C)	-40~+105
符合RoHS环保要求/Conform to RoHS	Yes

		MATERIAL:	SURFACE/COLOR:		
MAT NO./REV:		/ 00	MAT STATUS: 批量		
APPD: 兰春华	2022.12.08	NAME			
CHKD: 陈招	2022.12.08	15EDG-PWI-2.5-06P-1Y-00A&Z(H)			
DRFT: 龚徐涛	2022.12.07	DRAWING NO.	TYPE	DRAWING STATUS	SCALE
A4		200029321	CUSTOMER DRAWING	已发布	2:1
				SHEET	1/1

REV	ECN	DESCRIPTION	DRFT	DATE
00			龚徐涛	2022.12.07