



DRPT-1C



DRPT-2C

特点

- 体积小、1C:12A, 2C:8A切换功率。
- 配有多种插座可供选择。
- 带测试按钮, 二极管和LED指示。
- 环保产品 RoHS。

Features

- Small size, 1C:12A, 2C:8A switching power.
- Multiple sockets optional.
- With test button, diode and LED.
- Green product RoHS.

性能参数 Performance Parameters
触点参数 Contact parameters

触点形式 Contact form	1C, 2C
触点材料 Contact material	Ag alloy
阻性负载 Resistive load	1C:12A@277VAC/30VDC 2C:8A@277VAC/30VDC
马达负载 Motor load	1C:1/2HP@250VAC 2C:1/3HP@250VAC
切换功率 Switch power	1C:3324VA/360W 2C:2216VA/240W
接触电阻(初始) Contact resistance(Initial)	≤100mΩ
电气寿命(1s通/1s断) Electrical life(1s on/1s off)	>1×10 ⁵ (1800 Ops/h)
机械寿命(300次/分钟) Mechanical life(300cycles/min)	>1×10 ⁷ (18000 Ops/h)

线圈参数 Coil parameters

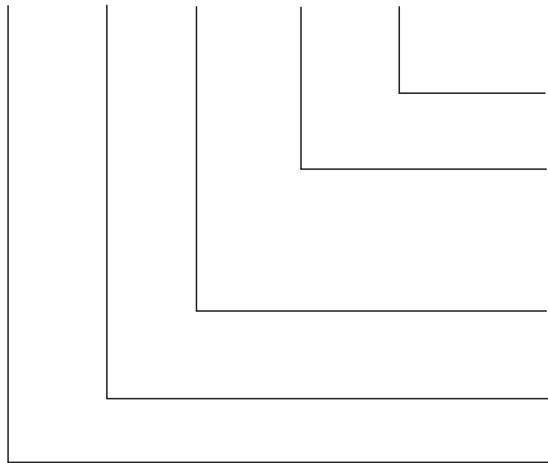
额定电压 Rated voltage (DC)	DC6V	DC12V	DC24V	DC48V	DC110V	
额定电阻 Rated resistance(±10%)	68Ω	272Ω	1087Ω	4347Ω	22830Ω	
额定电压 Rated voltage (AC)	AC6V	AC12V	AC24V	AC48V	AC100-110V	AC220-240V
额定电阻 Rated resistance(±10%)	15.8Ω	63Ω	252Ω	1008Ω	5294Ω	23144Ω
吸合电压 Operate voltage	DC: ≤75%(Rated voltage); AC: ≤80%(Rated voltage)					
释放电压 Release voltage	DC: ≥10%(Rated voltage); AC: ≥30%(Rated voltage)					
最大工作电压 Max input voltage	110%(Rated voltage)					
线圈功耗 Coil power	0.53W/0.8-1.0VA					
吸合时间 Operate time	<20ms					
释放时间 Release time	<10ms					

通用参数 Universal parameters

绝缘电阻 Insulation resistance	1000MΩ(500VDC/min)
介质耐压 Dielectric voltage	
同极触点间 Between contacts	1000VAC/1min
异极触点间 Between contacts(different pole)	1000VAC/1min
线圈触点间 Between contacts and coil	5000VAC/1min
耐冲击 Shock withstanding	10G(Half sine wave pulse 11ms)
耐振动 Vibration withstanding	10-55Hz(Double amplitude 1.0mm)
环境温度 Ambient temperature	-40...+85°C
环境湿度 Ambient humidity	45%~75%RH
重量 Weight	25g
配套插座 Matching socket	1C:DSRT05A series ; 2C:DSRT08A series

型号订购 Model Order

DRPT-2C-LR-D24-02Z(H)



环保:H
RoHS:H

线圈电压:DC:D6,D12,D24,D48,D110
AC:A6,A12,A24,A48,A110,A220
Coil voltage:DC:D6,D12,D24,D48,D110
AC:A6,A12,A24,A48,A110,A220

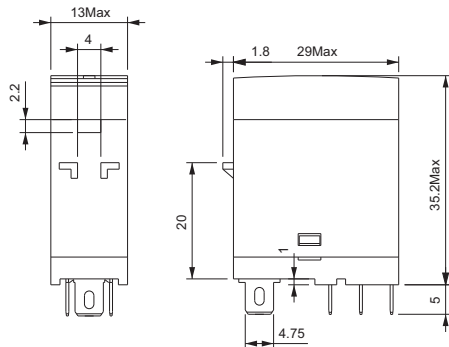
功能选项:
LR 灯+自锁按钮;LDR 灯+二极管+自锁按钮
Function option:
LR:LED+Self-locking button;LDR:LED+Diode+Self-locking button

触点形式:1C,2C
Contact form:1C,2C

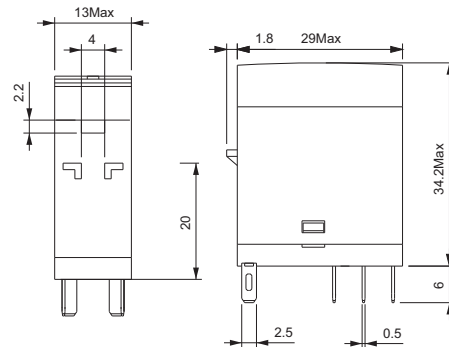
产品大类:DRPT
Product Category:DRPT

外形尺寸图 Overall Dimensions

DRPT-1C

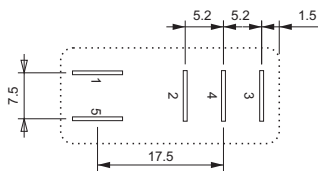


DRPT-2C

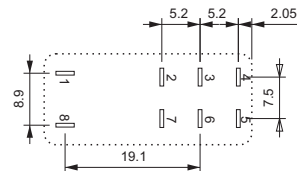


脚位图、接线图 Installation Diagrams, Wiring Diagrams

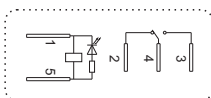
DRPT-1C



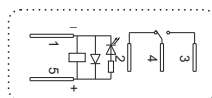
DRPT-2C



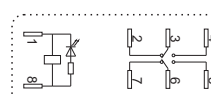
DRPT-1C-LR



DRPT-1C-LDR



DRPT-2C-LR



DRPT-2C-LDR

