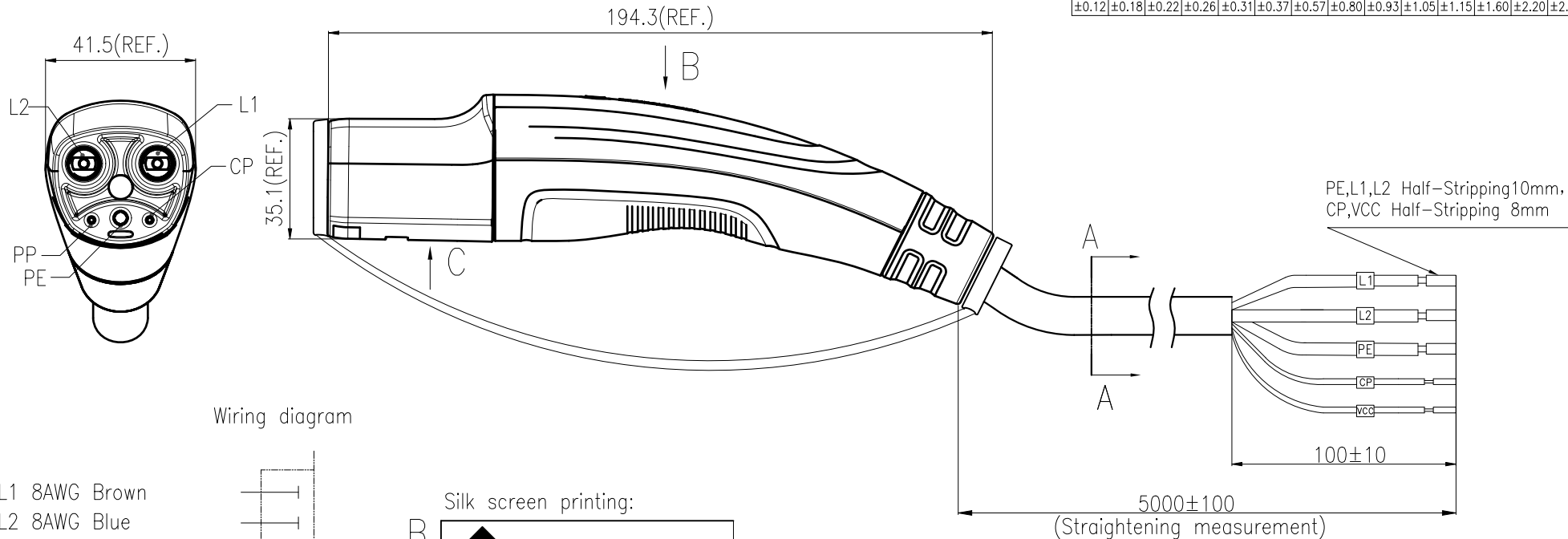
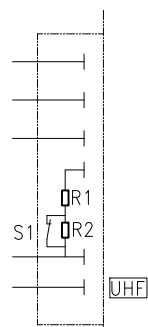


| 未注公差/General tolerances(mm) | | | | | | | | | | | | 0.1/10 ±2' | |
|-----------------------------|-------|-------|-------|-------|-------|-------|-------|-------|-------|-------|-------|---------------|-------|
| 0 | >3 | >6 | >10 | >18 | >30 | >50 | >80 | >120 | >180 | >250 | >315 | | >400 |
| ~3 | ~6 | ~10 | ~18 | ~30 | ~50 | ~80 | ~120 | ~180 | ~250 | ~315 | ~400 | ~500 | |
| ±0.12 | ±0.18 | ±0.22 | ±0.26 | ±0.31 | ±0.37 | ±0.57 | ±0.80 | ±0.93 | ±1.05 | ±1.15 | ±1.60 | ±2.20 | ±2.50 |



Wiring diagram

- L1 8AWG Brown
- L2 8AWG Blue
- CP 22AWG Orange
- PP



- PE 10AWG Yellow/Green
- RF 22AWG Red (5V~12V DC)

R1 = 150Ω ± 10%
R2 = 330Ω ± 10%

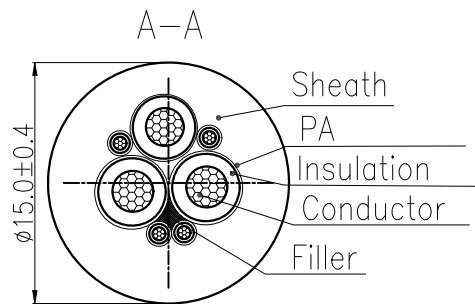
Silk screen printing:



Laser Printing Note:

UL NO.: E505319
MTAC-S-048A-V3-03-5.0M-10A(H)
48A 240V AC
TYPE 3R
OP: -40~+50°C
20xxxxx-xxxx

Note:
1.The other two lines need to be cut.



PE,L1,L2 Half-Stripping 10mm,
CP,VCC Half-Stripping 8mm

| | |
|----------------------------------|------------------------------|
| 额定电压电流/Rated voltage/Current | 240V AC/48A |
| 绝缘电阻/Insulation resistance | >100MΩ,500V DC 1min |
| 耐压/Withstanding voltage | L1、L2 and PE ,2500V AC 1min |
| | L1 and L2 ,2500V AC 1min |
| 防护等级/Ingress protection | TYPE 3R |
| 插拔寿命/Insertion/Pullout times | 10,000 Times |
| 插拔力/Insertion/Pullout force | <90N |
| 使用温度范围/Operating temperature(°C) | -40~+50 |
| 线材规格/Cable specification | 2*8AWG+1*10AWG+4*22AWG Black |
| 标准/Reference standard | NACS,UL2251 |
| 符合RoHS环保要求/Conform to RoHS | Yes |

| | | | | | |
|---------------|------------|------------------------------------|---------------|----------------|-------|
| | | MATERIAL: | SURFACE/COLOR | | |
| APPD: Ye DB | 2024.09.14 | MAT NO/REV: DO-1 | MAT STATUS | | |
| CHKD: Li WJ | 2024.09.14 | NAME MTAC-S-048A-V3-03-5.0M-10A(H) | | | |
| DRFT: Zhang Q | 2024.07.02 | DRAWING NO. | TYPE | DRAWING STATUS | SCALE |
| A4 | | CUSTOMER DRAWING | | | 1:3 |
| | | | | SHEET | 1/1 |

| | | | | |
|------|-----|-----------------|---------|------------|
| REV | ECN | DESCRIPTION | DRFT | DATE |
| DO-1 | | Initial release | Zhang Q | 2024.07.02 |

Transfer or duplication of this document as well as the utilization or communication of its contents are prohibited unless explicit authorization is granted. Violations will be liable for compensation. All rights reserved for patent utility model or design registrations. 未经授权，复制或传播本文件内容，或在本文件内容基础上进行发明、实用新型或外观设计注册，均属于侵权行为。一经发现，侵权者将承担相关法律责任。 侵权必究。