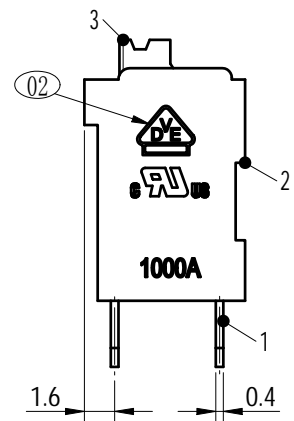
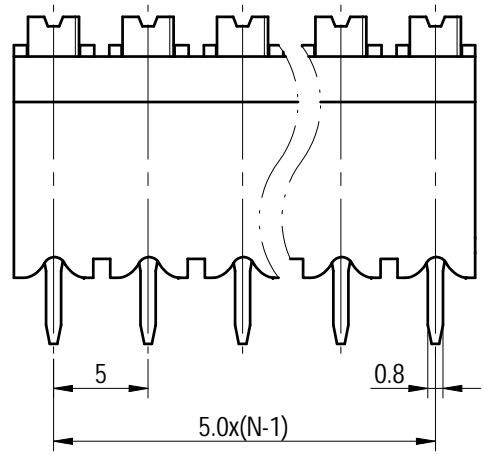
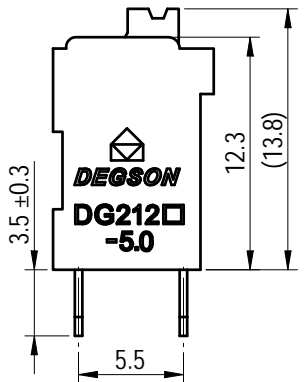
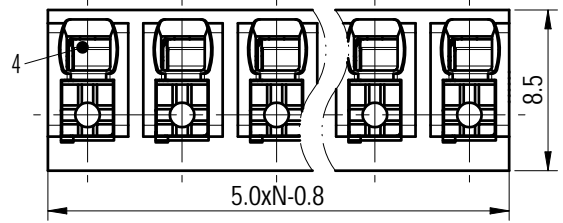
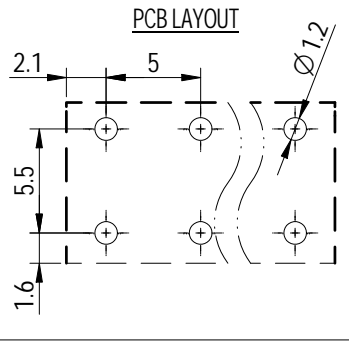
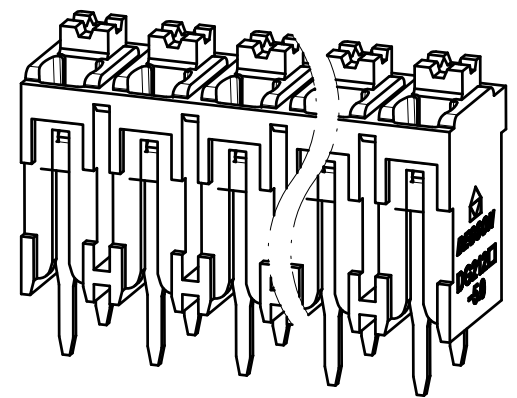


Transfer or duplication of this document as well as the utilization or communication of its contents are prohibited unless authorized in writing. All rights reserved for patent, utility model or design registrations. 除专利、实用新型、外观设计注册外，其他内容均受法律保护。未经许可，不得复制或传播。 本公司保留对涉及发明、实用新型及外观设计的所有权利。



未注公差/General tolerances (mm)												0.1/10	
0	>3	>6	>10	>18	>30	>50	>80	>120	>180	>250	>315		>400
~3	~6	~10	~18	~30	~50	~80	~120	~180	~250	~315	~400	~500	>500
±0.12	±0.18	±0.22	±0.26	±0.31	±0.37	±0.57	±0.80	±0.93	±1.05	±1.15	±1.60	±2.20	±2.50



Note: The A&Z(H) in the name means: A(H) and Z(H).

ITEM	NAME OF PART	MATERIAL	NOTES
4	Spring	Stainless steel	/
3	Button	PA66+GF	UL94V-0
2	Housing	Thermoplastic	UL94V-0
1	Pin header	Copper Alloy	Sn Plated

UL 标准/UL Standard:		B	C	D
额定电压/电流/Rated Voltage(V)/Current(A)		300/12	/	300/10
IEC 标准/IEC Standard:				
过压类别/Overvoltage Category/污染等级/Pollution Degree		III/3	III/2	II/2
额定电压/电流/Rated Voltage(V)/Current(A)		320/17.5	320/17.5	500/17.5
额定脉冲电压(KV)/Rate Impulse Voltage(KV)		4	4	4
线径范围(硬线和软线)/Wire Range(rigid and flexible)(AWG/mm²)		28~14 / 0.2~1.5		
间距/Pitch(mm)/线数范围/Poles		5.0/N=02~24P		
剥线长度/Stripping length(mm)		8~9		
使用温度范围/Operating temperature(°C)		-40~+130		
符合RoHS环保要求/Conform to RoHS		Yes		

DEGSON		MATERIAL:	SURFACE/COLOR:	
APPD: 兰春华 2023.07.06		MAT NO./REV:	/ 00	
CHKD: 张玉华 2023.07.05		NAME		
DRFT: 陈迪辉 2023.07.04		DG212V-THR-5.0-XXP-1Y-1000A&Z(H)		
DRAWING NO.	TYPE	DRAWING STATUS	SCALE	SHEET
200068675	CUSTOMER DRAWING	已发布	2:1	1/1

REV	ECN	DESCRIPTION	DRFT	DATE
02		1x增加VDE刻字	陈迪辉	2023.07.04